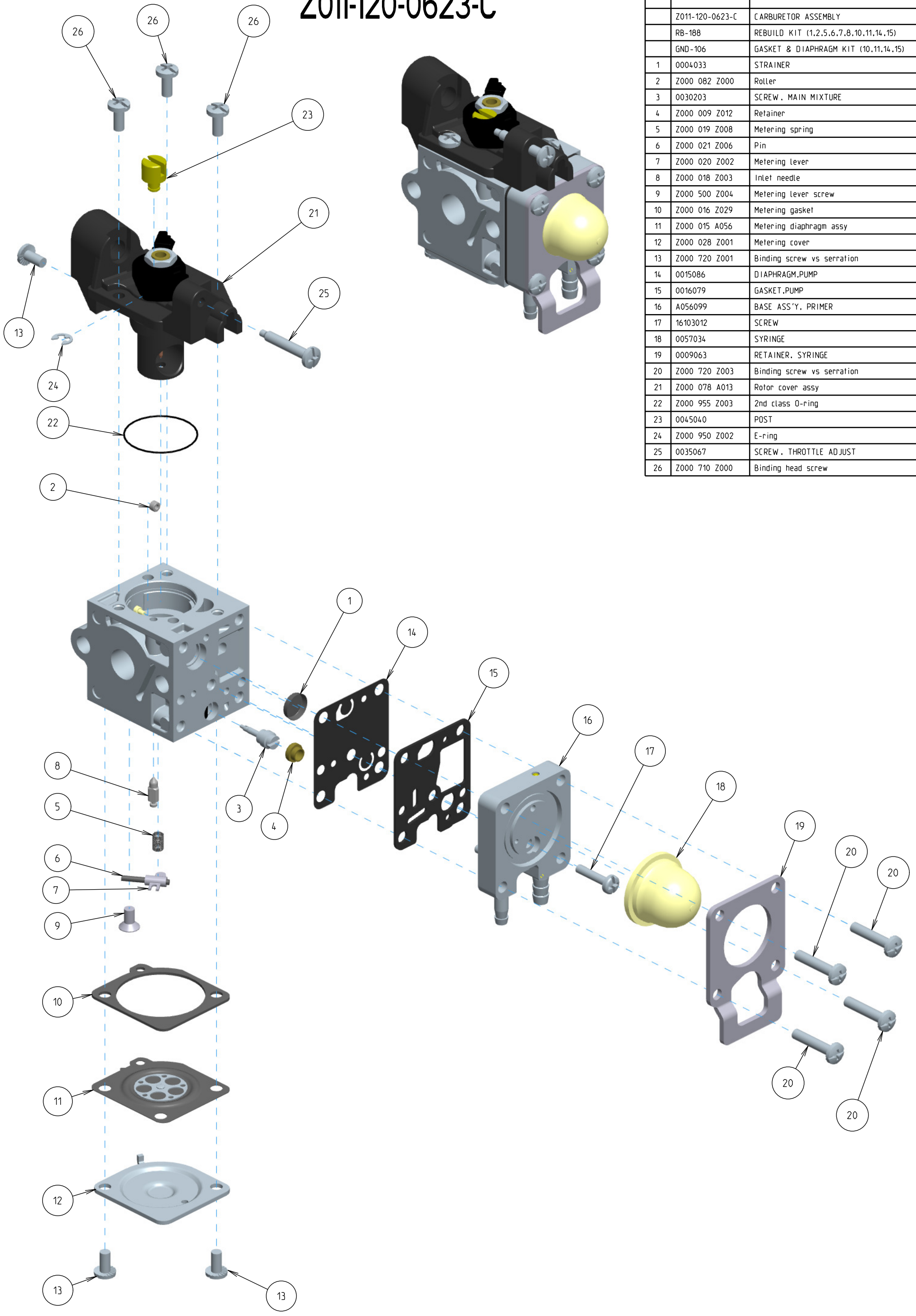


Z011-120-0623-C



| ITEM | ZAMA PART NR. | DESCRIPTION |
|------|-----------------|---------------------------------------|
| | Z011-120-0623-C | CARBURETOR ASSEMBLY |
| | RB-188 | REBUILD KIT (1,2,5,6,7,8,10,11,14,15) |
| | GND-106 | GASKET & DIAPHRAGM KIT (10,11,14,15) |
| 1 | 0004033 | STRAINER |
| 2 | Z000 082 Z000 | Roller |
| 3 | 0030203 | SCREW . MAIN MIXTURE |
| 4 | Z000 009 Z012 | Retainer |
| 5 | Z000 019 Z008 | Metering spring |
| 6 | Z000 021 Z006 | Pin |
| 7 | Z000 020 Z002 | Metering Lever |
| 8 | Z000 018 Z003 | Inlet needle |
| 9 | Z000 500 Z004 | Metering Lever screw |
| 10 | Z000 016 Z029 | Metering gasket |
| 11 | Z000 015 A056 | Metering diaphragm assy |
| 12 | Z000 028 Z001 | Metering cover |
| 13 | Z000 720 Z001 | Binding screw vs serration |
| 14 | 0015086 | DIAPHRAGM,PUMP |
| 15 | 0016079 | GASKET,PUMP |
| 16 | A056099 | BASE ASS'Y. PRIMER |
| 17 | 16103012 | SCREW |
| 18 | 0057034 | SYRINGE |
| 19 | 0009063 | RETAINER, SYRINGE |
| 20 | Z000 720 Z003 | Binding screw vs serration |
| 21 | Z000 078 A013 | Rotor cover assy |
| 22 | Z000 955 Z003 | 2nd class O-ring |
| 23 | 0045040 | POST |
| 24 | Z000 950 Z002 | E-ring |
| 25 | 0035067 | SCREW . THROTTLE ADJUST |
| 26 | Z000 710 Z000 | Binding head screw |