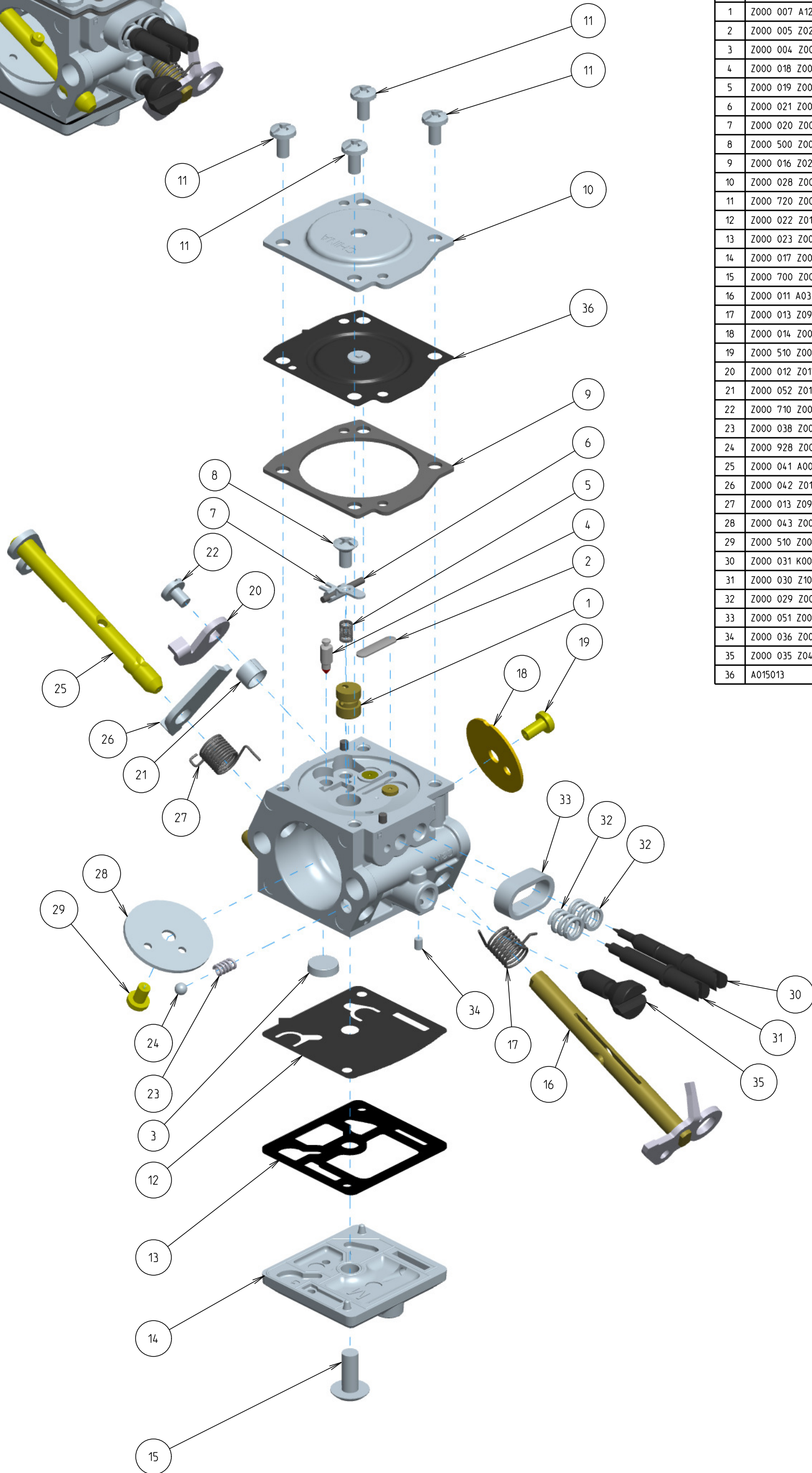
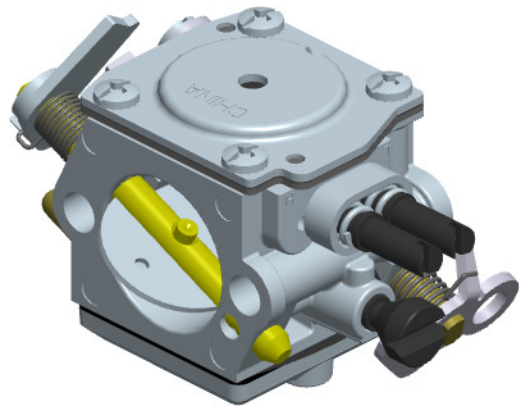


Z014-120-0628-B



| ITEM | ZAMA PART NR. | DESCRIPTION |
|------|-----------------|--------------------------------------|
| | Z014-120-0628-B | CARBURETOR ASSEMBLY |
| | Z000 001 K140 | REBUILD KIT (2,3,4,5,6,7,9,12,13,36) |
| | Z000 003 K076 | GASKET & DIAPHRAGM KIT (9,12,13,36) |
| 1 | Z000 007 A129 | Nozzle assy |
| 2 | Z000 005 Z021 | Plug |
| 3 | Z000 004 Z000 | Strainer |
| 4 | Z000 018 Z000 | Inlet needle |
| 5 | Z000 019 Z004 | Metering spring |
| 6 | Z000 021 Z006 | Pin |
| 7 | Z000 020 Z002 | Metering Lever |
| 8 | Z000 500 Z001 | Metering Lever screw |
| 9 | Z000 016 Z027 | Metering gasket |
| 10 | Z000 028 Z006 | Metering cover |
| 11 | Z000 720 Z001 | Binding screw vs serration |
| 12 | Z000 022 Z016 | Pump diaphragm |
| 13 | Z000 023 Z009 | Pump gasket |
| 14 | Z000 017 Z003 | Pump cover |
| 15 | Z000 700 Z000 | Truss head screw |
| 16 | Z000 011 A032 | Throttle shaft assy |
| 17 | Z000 013 Z093 | Return spring |
| 18 | Z000 014 Z009 | Throttle valve |
| 19 | Z000 510 Z003 | Valve screw |
| 20 | Z000 012 Z017 | Throttle lever |
| 21 | Z000 052 Z014 | Collar |
| 22 | Z000 710 Z008 | Binding head screw |
| 23 | Z000 038 Z001 | Friction Spring |
| 24 | Z000 928 Z003 | Stainless plug ball |
| 25 | Z000 041 A009 | Choke shaft assy |
| 26 | Z000 042 Z010 | Choke lever |
| 27 | Z000 013 Z094 | Return spring |
| 28 | Z000 043 Z007 | Choke Valve |
| 29 | Z000 510 Z000 | Valve screw |
| 30 | Z000 031 K009 | Low speed screw kit |
| 31 | Z000 030 Z106 | High speed screw |
| 32 | Z000 029 Z001 | Adjustment screw spring |
| 33 | Z000 051 Z008 | Boot |
| 34 | Z000 036 Z001 | Friction piece |
| 35 | Z000 035 Z040 | Idle speed screw |
| 36 | A015013 | DIAPHRAGM ASS'Y, METERING |