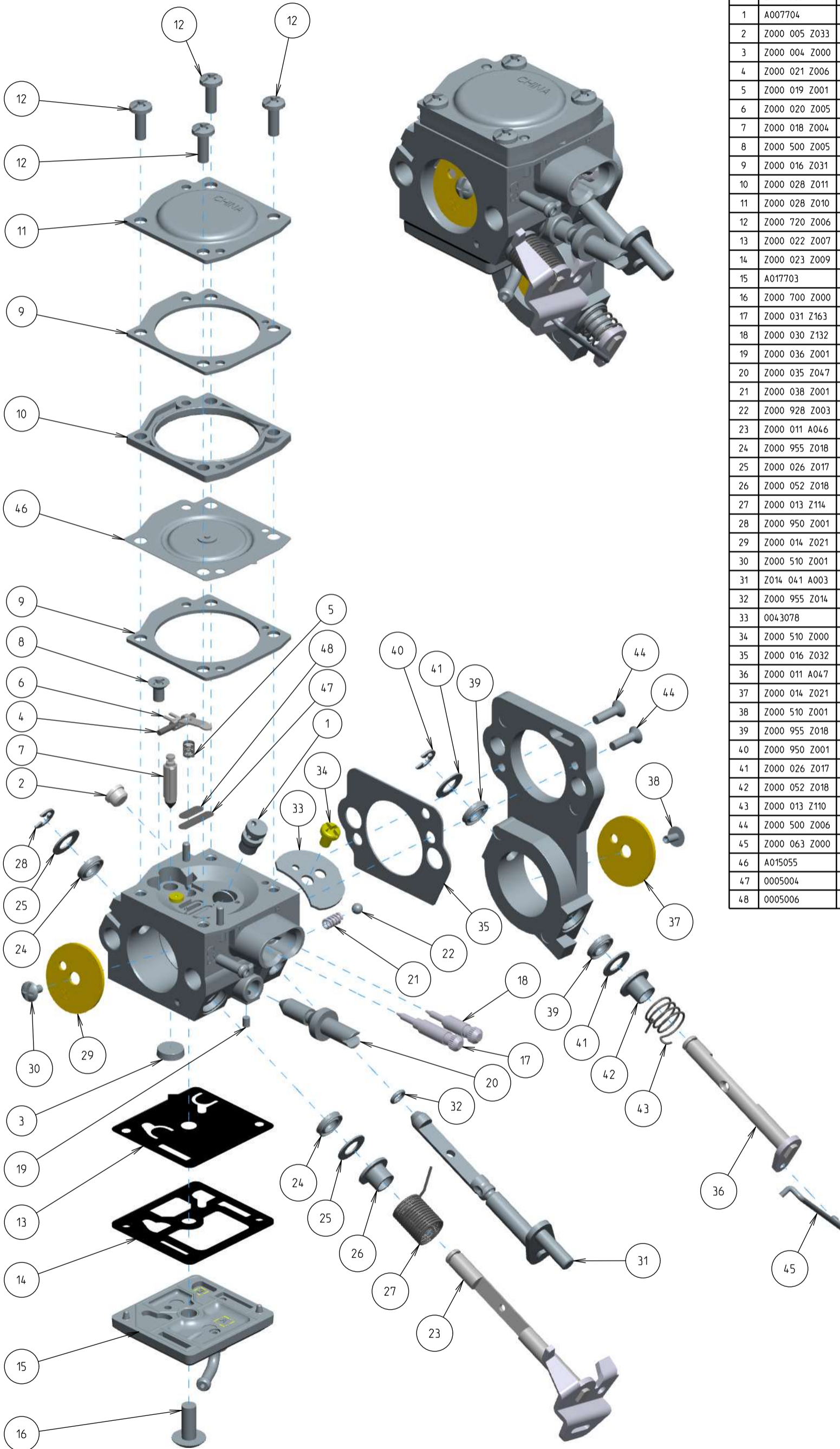


Z014-120-0611-B



ITEM	ZAMA PART NR.	DESCRIPTION
	Z014-120-0611-B	CARBURETOR ASSEMBLY
	Z000 001 K055	REBUILD KIT (3.4.5.6.7.9.13.14.24.32.35.46.47.48)
	GND-110	GASKET & DIAPHRAGM KIT (9.13.14.35.46)
	Z014 088 A000	Air head assy (36.37.38.39.40.41.42.43)
1	A007704	NOZZLE ASS'Y, CHECK VAVLE
2	Z000 005 Z033	Plug=Z0005047
3	Z000 004 Z000	Strainer
4	Z000 021 Z006	Pin
5	Z000 019 Z001	Metering spring
6	Z000 020 Z005	Metering Lever
7	Z000 018 Z004	Inlet needle=Z01800028A
8	Z000 500 Z005	Metering lever screw=149030055A
9	Z000 016 Z031	Metering gasket=Z0016093
10	Z000 028 Z011	Metering cover=Z0028048
11	Z000 028 Z010	Metering cover=Z0028047A
12	Z000 720 Z006	Binding screw vs serration=17203009A
13	Z000 022 Z007	Pump diaphragm
14	Z000 023 Z009	Pump gasket
15	A017703	PUMP COVER ASS'Y
16	Z000 700 Z000	Truss head screw
17	Z000 031 Z163	Low speed screw=Z0031228
18	Z000 030 Z132	High speed screw=Z0030226A
19	Z000 036 Z001	Friction piece
20	Z000 035 Z047	Idle speed screw=Z0035022B
21	Z000 038 Z001	Friction Spring
22	Z000 928 Z003	Stainless plug ball
23	Z000 011 A046	Throttle shaft assy=A011222C
24	Z000 955 Z018	2nd class O-ring=195505178
25	Z000 026 Z017	Washer=Z0026036B
26	Z000 052 Z018	Collar=Z0052015A
27	Z000 013 Z114	Return spring=Z0013117A
28	Z000 950 Z001	E-ring
29	Z000 014 Z021	Throttle valve=Z0014098
30	Z000 510 Z001	Valve screw
31	Z014 041 A003	Choke shaft assy
32	Z000 955 Z014	2nd class O-ring
33	0043078	VALVE, CHOKE
34	Z000 510 Z000	Valve screw
35	Z000 016 Z032	Metering gasket=Z0016094
36	Z000 011 A047	Throttle shaft assy=A011223B
37	Z000 014 Z021	Throttle valve=Z0014098
38	Z000 510 Z001	Valve screw
39	Z000 955 Z018	2nd class O-ring=195505178
40	Z000 950 Z001	E-ring
41	Z000 026 Z017	Washer=Z0026036B
42	Z000 052 Z018	Collar=Z0052015A
43	Z000 013 Z110	Return spring=Z0013100A
44	Z000 500 Z006	Metering lever screw=14902509A
45	Z000 063 Z000	Linkage=Z0063026
46	A015055	DIAPHRAGM ASS'Y, METERING
47	0005004	PLUG, WELCH
48	0005006	PLUG, WELCH