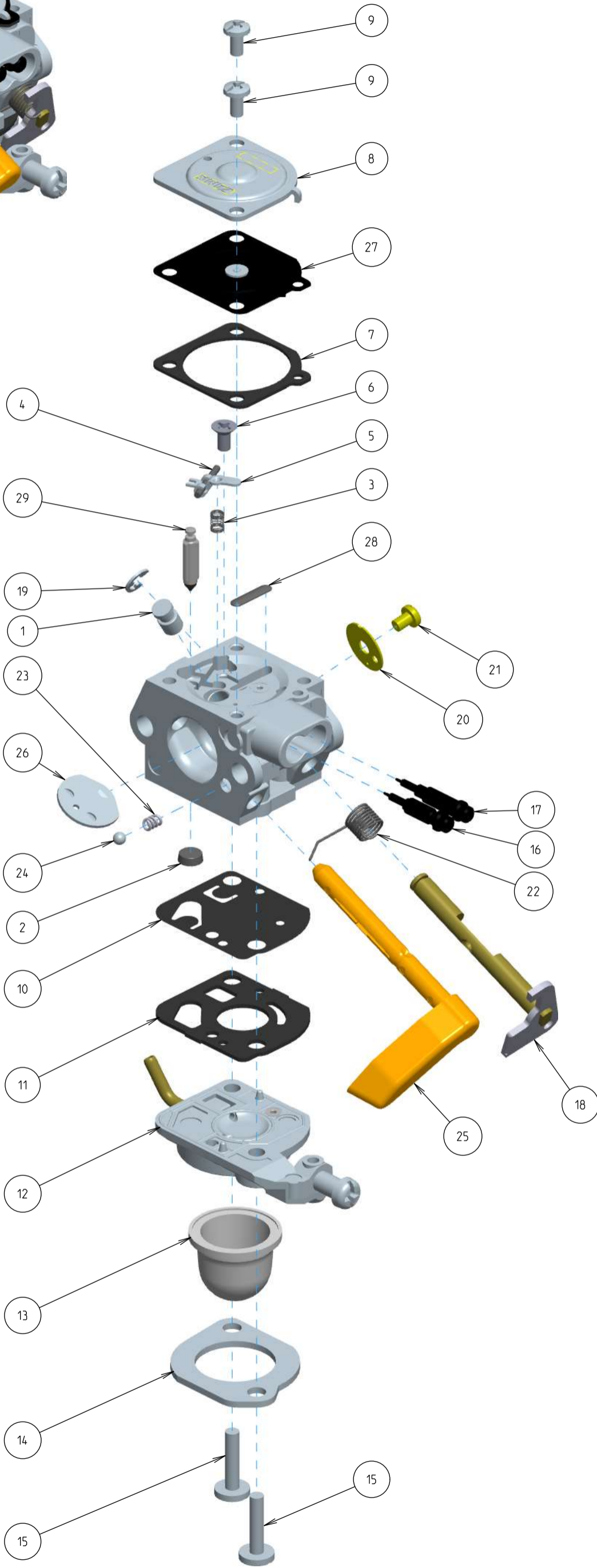


Z021-120-0614-B



| ITEM | ZAMA PART NR. | DESCRIPTION |
|------|-----------------|--|
| | Z021-120-0614-B | CARBURETOR ASSEMBLY |
| | RB-28 | REBUILD KIT (2,3,4,5,7,10,11,27,28,29) |
| | GND-18 | GASKET & DIAPHRAGM KIT (7,10,11,27) |
| 1 | A007199 | NOZZLE ASS'Y. CHECK VALVE |
| 2 | Z000 004 Z002 | Strainer |
| 3 | Z000 019 Z003 | Metering spring |
| 4 | Z000 021 Z006 | Pin |
| 5 | 0020009 | LEVER. METERING |
| 6 | 14903006 | SCREW |
| 7 | Z000 016 Z014 | Metering gasket |
| 8 | 0028022 | Metering cover |
| 9 | Z000 720 Z001 | Binding screw vs serration |
| 10 | Z000 022 Z003 | Pump diaphragm |
| 11 | 0016046 | GASKET. PUMP |
| 12 | K056702 | BASE KIT. PRIMER |
| 13 | Z000 057 Z004 | Primer bulb |
| 14 | 0009015 | RETAINER |
| 15 | 17104015 | Binding head screw |
| 16 | Z000 030 Z048 | High speed screw |
| 17 | 0031241 | SCREW. IDLE MIXTURE |
| 18 | A011198 | SHAFT ASS'Y. THROTTLE |
| 19 | Z000 950 Z001 | E-ring |
| 20 | 0014702 | VALVE. THROTTLE |
| 21 | Z000 510 Z002 | Valve screw |
| 22 | Z000 013 Z011 | Return spring |
| 23 | Z000 038 Z001 | Friction Spring |
| 24 | Z000 928 Z003 | Stainless plug ball |
| 25 | 004.1170 | SHAFT. CHOKE |
| 26 | 004.3059 | VALVE. CHOKE |
| 27 | A015010 | DIAPHRAGM. METERING ASSEMBLY |
| 28 | 0005004 | PLUG. WELCH |
| 29 | 0018002 | VALVE. INLET NEEDLE |