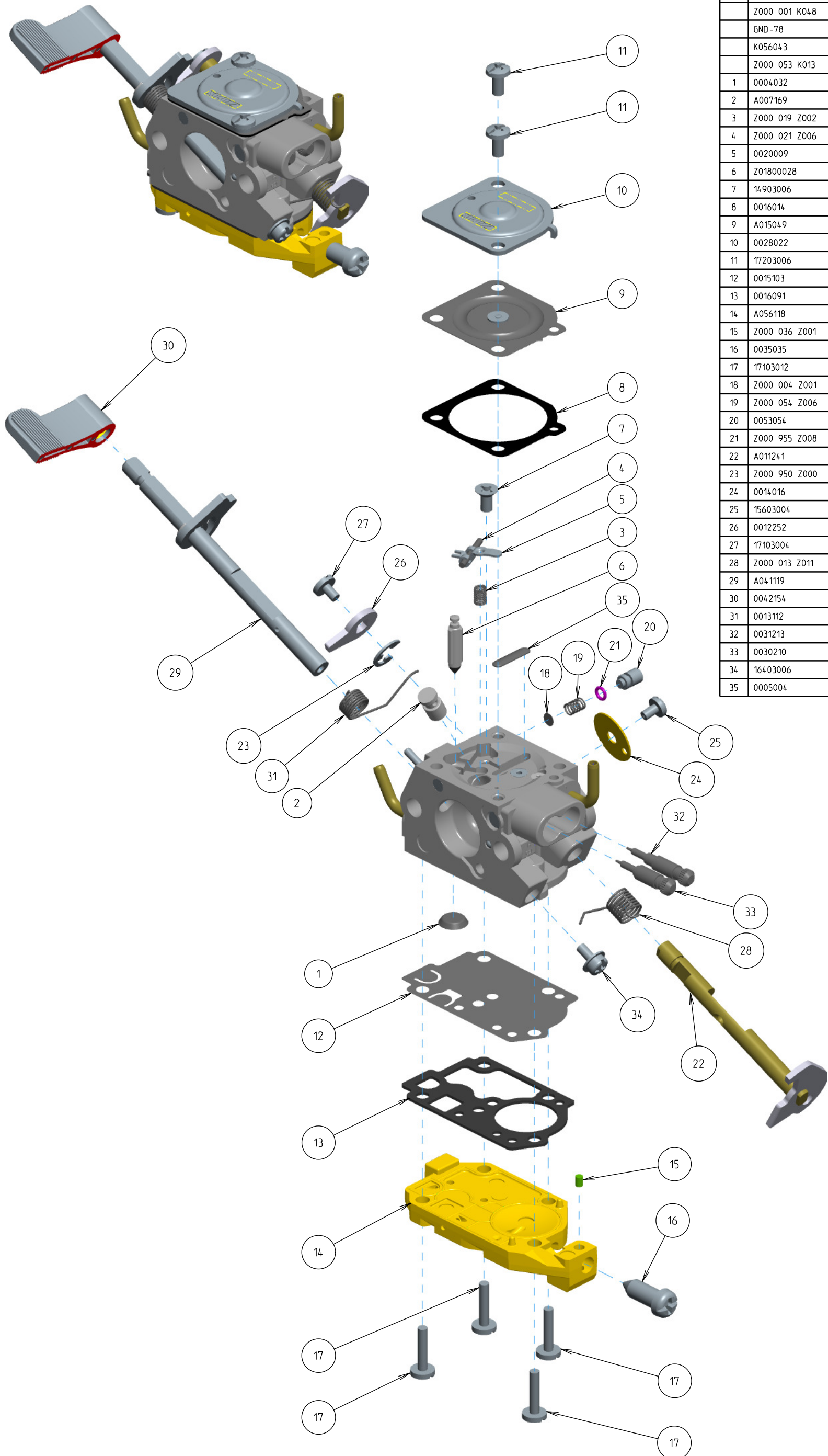


Z020-120-0628-A



ITEM	ZAMA PART NR.	DESCRIPTION
	Z020-120-0628-A	CARBURETOR ASSEMBLY
	Z000 001 K048	REBUILD KIT (1.3.4.5.6.8.9.12.13.35)
	GND-78	GASKET & DIAPHRAGM KIT (8.9.12.13)
	K056043	BASE KIT. PRIMER (14.15.16)
	Z000 053 K013	Plunger kit (20.21)
1	0004032	STRAINER
2	A007169	NOZZLE ASS'Y, CHECK VALVE
3	Z000 019 Z002	Metering spring
4	Z000 021 Z006	Pin
5	0020009	LEVER, METERING
6	Z01800028	VALVE, INLET NEEDLE
7	14903006	SCREW
8	0016014	GASKET, METERING CHAMBER
9	A015049	DIAPHRAGM ASS'Y, METERING
10	0028022	COVER, METERING
11	17203006	Binding screw vs serration
12	0015103	DIAPHRAGM, PUMP
13	0016091	GASKET, PUMP
14	A056118	BASE ASS'Y, PRIMER
15	Z000 036 Z001	Friction piece
16	0035035	SCREW, THROTTLE ADJUST
17	17103012	SCREW
18	Z000 004 Z001	Strainer =Z0004005
19	Z000 054 Z006	Spring
20	0053054	PLUNGER
21	Z000 955 Z008	2nd class O-ring
22	A011241	ASS'Y, THROTTLE SHAFT
23	Z000 950 Z000	E-ring
24	0014016	VALVE, THROTTLE
25	15603004	SCREW
26	0012252	LEVER, THROTTLE
27	17103004	SCREW
28	Z000 013 Z011	Return spring
29	A041119	SHAFT ASS'Y, CHOKE
30	0042154	LEVER,CHOKE
31	0013112	SPRING, CHOKE RETURN
32	0031213	SCREW, IDLE MIXTURE
33	0030210	SCREW, MAIN MIXTURE
34	16403006	SCREW (WITH PLAIN WASHER)
35	0005004	PLUG, WELCH