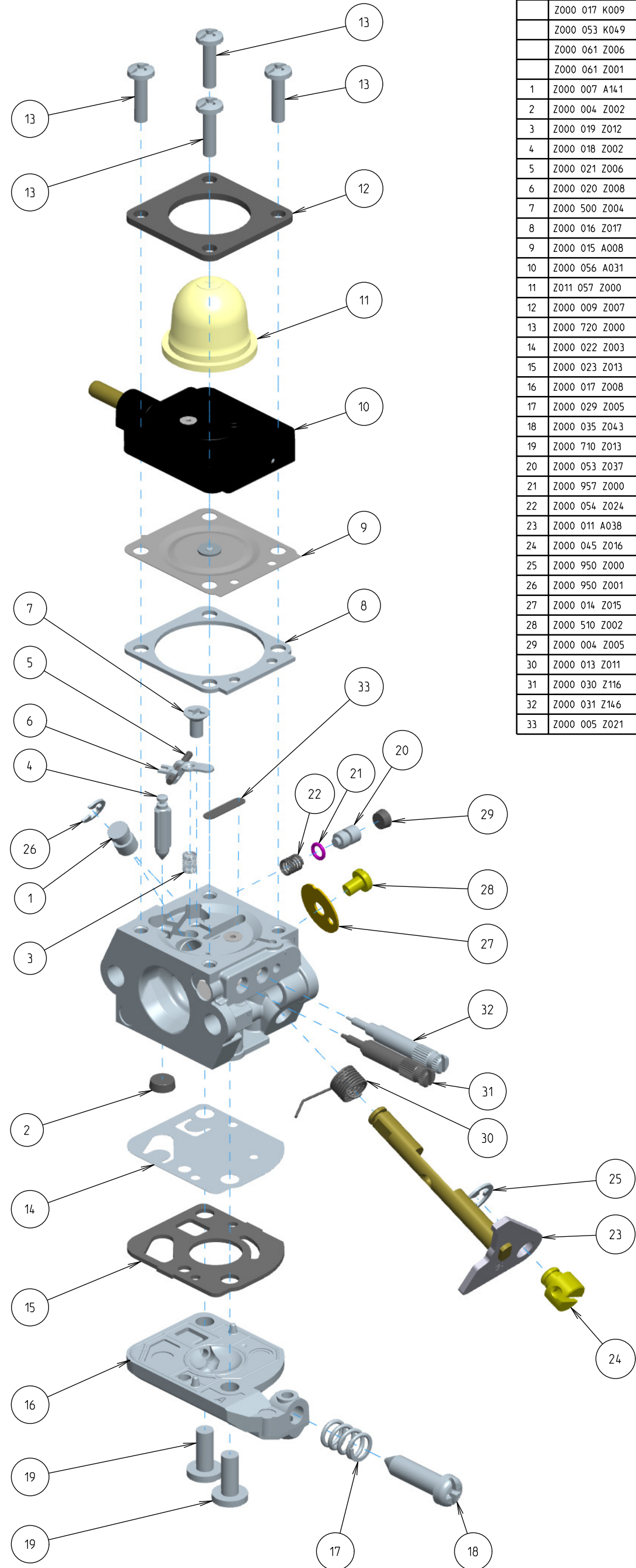


# Z011-120-0689-B



| ITEM | ZAMA PART NR.   | DESCRIPTION                          |
|------|-----------------|--------------------------------------|
|      | Z011-120-0689-B | Carburetor                           |
|      | Z000 001 K023   | Rebuild kit (2,3,4,5,6,8,9,14,15,33) |
|      | Z000 003 K013   | Gasket & diaphragm kit (8,9,14,15)   |
|      | Z000 017 K009   | Pump cover kit (16,17,18)            |
|      | Z000 053 K049   | Plunger kit (20,21,22,29)            |
|      | Z000 061 Z006   | Limiter Cap (RED)                    |
|      | Z000 061 Z001   | Limiter Cap (WHITE)                  |
| 1    | Z000 007 A141   | Nozzle assy                          |
| 2    | Z000 004 Z002   | Strainer                             |
| 3    | Z000 019 Z012   | Metering spring                      |
| 4    | Z000 018 Z002   | Inlet needle                         |
| 5    | Z000 021 Z006   | Pin                                  |
| 6    | Z000 020 Z008   | Metering lever                       |
| 7    | Z000 500 Z004   | Metering lever screw                 |
| 8    | Z000 016 Z017   | Metering gasket                      |
| 9    | Z000 015 A008   | Metering diaphragm assy              |
| 10   | Z000 056 A031   | Base primer assy                     |
| 11   | Z011 057 Z000   | Primer bulb                          |
| 12   | Z000 009 Z007   | Retainer                             |
| 13   | Z000 720 Z000   | Binding screw vs serration           |
| 14   | Z000 022 Z003   | Pump diaphragm                       |
| 15   | Z000 023 Z013   | Pump gasket                          |
| 16   | Z000 017 Z008   | Pump cover                           |
| 17   | Z000 029 Z005   | Adjustment screw spring              |
| 18   | Z000 035 Z043   | Idle speed screw                     |
| 19   | Z000 710 Z013   | Binding head screw                   |
| 20   | Z000 053 Z037   | Plunger                              |
| 21   | Z000 957 Z000   | 1st class O-ring                     |
| 22   | Z000 054 Z024   | Spring                               |
| 23   | Z000 011 A038   | Throttle shaft assy                  |
| 24   | Z000 045 Z016   | Post                                 |
| 25   | Z000 950 Z000   | E-ring                               |
| 26   | Z000 950 Z001   | E-ring                               |
| 27   | Z000 014 Z015   | Throttle valve                       |
| 28   | Z000 510 Z002   | Valve screw                          |
| 29   | Z000 004 Z005   | Strainer                             |
| 30   | Z000 013 Z011   | Return spring                        |
| 31   | Z000 030 Z116   | High speed screw                     |
| 32   | Z000 031 Z146   | Low speed screw                      |
| 33   | Z000 005 Z021   | Plug (Spare parts only)              |