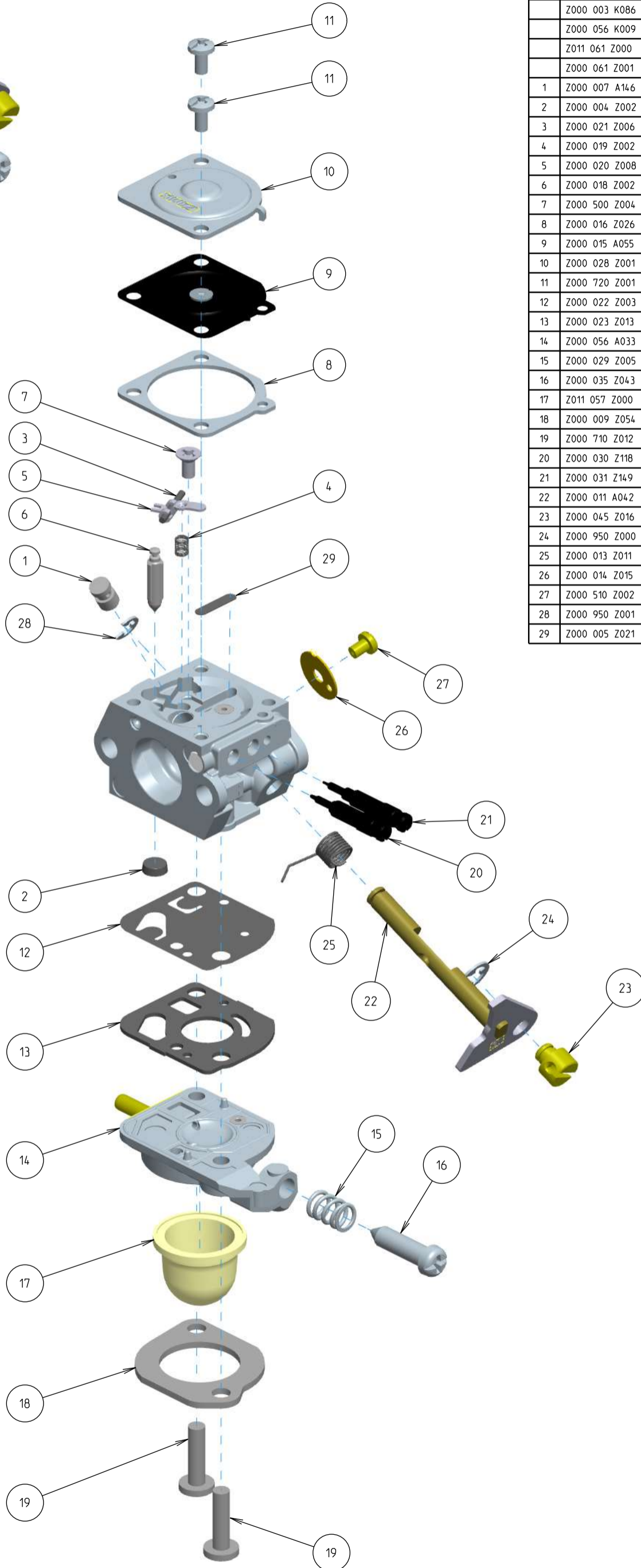


# Z011-120-0688-A



ITEM	ZAMA PART NR.	DESCRIPTION
	Z011-120-0688-A	Carburetor C1U
	Z000 001 K154	REBUILD KIT (2,3,4,5,6,8,9,12,13,29)
	Z000 003 K086	GASKET & DIAPHRAGM KIT (8,9,12,13)
	Z000 056 K009	Base primer kit (14,15,16)
	Z011 061 Z000	Limiter Cap (H)
	Z000 061 Z001	Limiter Cap (L)
1	Z000 007 A146	Nozzle assy
2	Z000 004 Z002	Strainer
3	Z000 021 Z006	Pin
4	Z000 019 Z002	Metering spring
5	Z000 020 Z008	Metering Lever
6	Z000 018 Z002	Inlet needle
7	Z000 500 Z004	Metering lever screw
8	Z000 016 Z026	Metering gasket
9	Z000 015 A055	Metering diaphragm assy
10	Z000 028 Z001	Metering cover
11	Z000 720 Z001	Binding screw vs serration
12	Z000 022 Z003	Pump diaphragm
13	Z000 023 Z013	Pump gasket
14	Z000 056 A033	Base primer assy
15	Z000 029 Z005	Adjustment screw spring
16	Z000 035 Z043	Idle speed screw
17	Z011 057 Z000	Primer bulb
18	Z000 009 Z054	Retainer
19	Z000 710 Z012	Binding head screw
20	Z000 030 Z118	High speed screw
21	Z000 031 Z149	Low speed screw
22	Z000 011 A042	Throttle shaft assy
23	Z000 045 Z016	Post
24	Z000 950 Z000	E-ring
25	Z000 013 Z011	Return spring
26	Z000 014 Z015	Throttle valve
27	Z000 510 Z002	Valve screw
28	Z000 950 Z001	E-ring
29	Z000 005 Z021	Plug (Spare parts only)