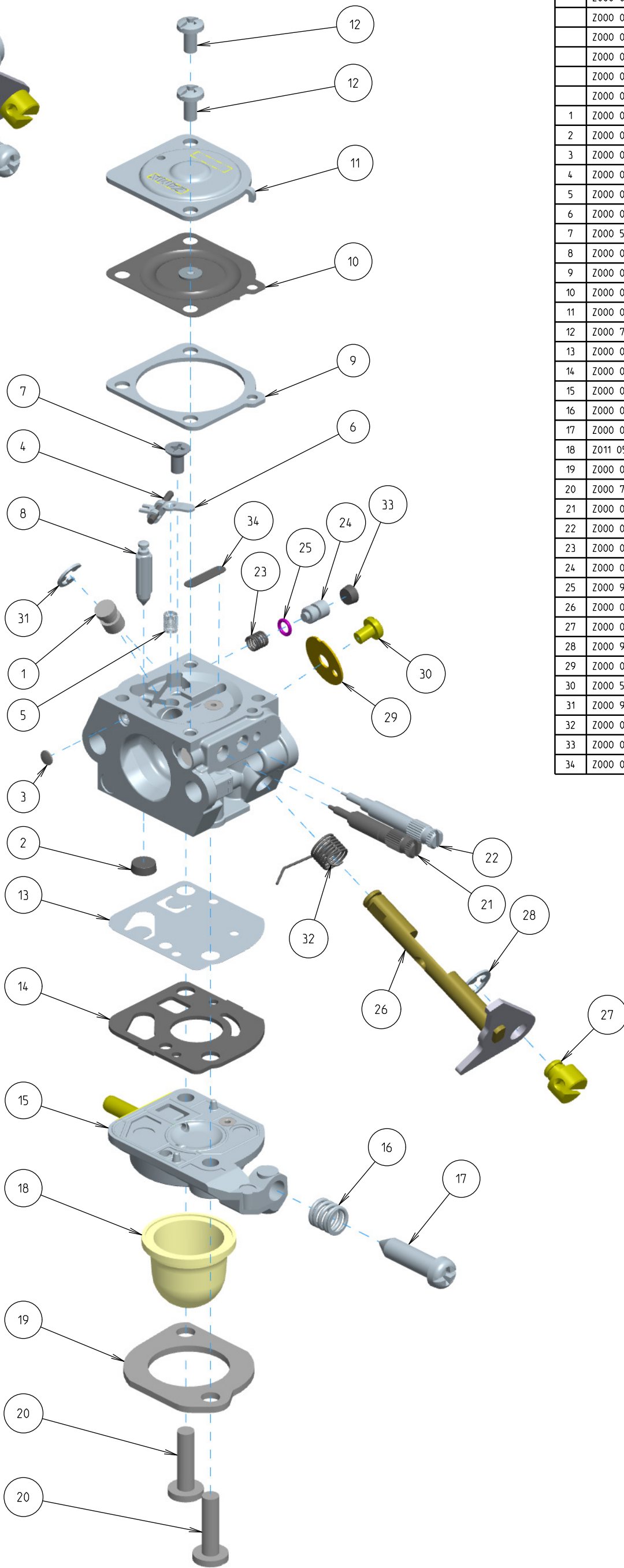
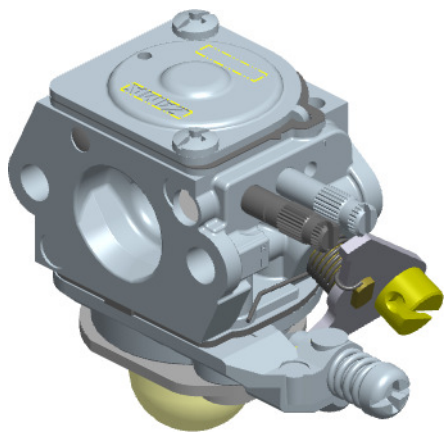


# Z011-120-0686-A



ITEM	ZAMA PART NR.	DESCRIPTION
	Z011-120-0686-A	Carburetor C1U
	Z000 001 K153	Rebuild kit (2,4,5,6,8,9,10,13,14,34)
	Z000 003 K086	Gasket & diaphragm kit (9,10,13,14)
	Z000 056 K009	Base primer kit (15,16,17)
	Z000 053 K049	Plunger kit (23,24,25,33)
	Z000 061 Z006	Limiter Cap (RED)
	Z000 061 Z001	Limiter Cap (WHITE)
1	Z000 007 A145	Nozzle assy
2	Z000 004 Z002	Strainer
3	Z000 005 Z013	Plug
4	Z000 021 Z006	Pin
5	Z000 019 Z012	Metering spring
6	Z000 020 Z008	Metering Lever
7	Z000 500 Z004	Metering Lever screw
8	Z000 018 Z002	Inlet needle
9	Z000 016 Z026	Metering gasket
10	Z000 015 A055	Metering diaphragm assy
11	Z000 028 Z005	Metering cover
12	Z000 720 Z001	Binding screw vs serration
13	Z000 022 Z003	Pump diaphragm
14	Z000 023 Z013	Pump gasket
15	Z000 056 A033	Base primer assy
16	Z000 029 Z005	Adjustment screw spring
17	Z000 035 Z043	Idle speed screw
18	Z011 057 Z000	Primer bulb
19	Z000 009 Z054	Retainer
20	Z000 710 Z012	Binding head screw
21	Z000 030 Z116	High speed screw
22	Z000 031 Z146	Low speed screw
23	Z000 054 Z024	Spring
24	Z000 053 Z037	Plunger
25	Z000 957 Z000	1st class O-ring
26	Z000 011 A041	Throttle shaft assy
27	Z000 045 Z016	Post
28	Z000 950 Z000	E-ring
29	Z000 014 Z015	Throttle valve
30	Z000 510 Z002	Valve screw
31	Z000 950 Z001	E-ring
32	Z000 013 Z011	Return spring
33	Z000 004 Z005	Strainer
34	Z000 005 Z021	Plug (Spare parts only)