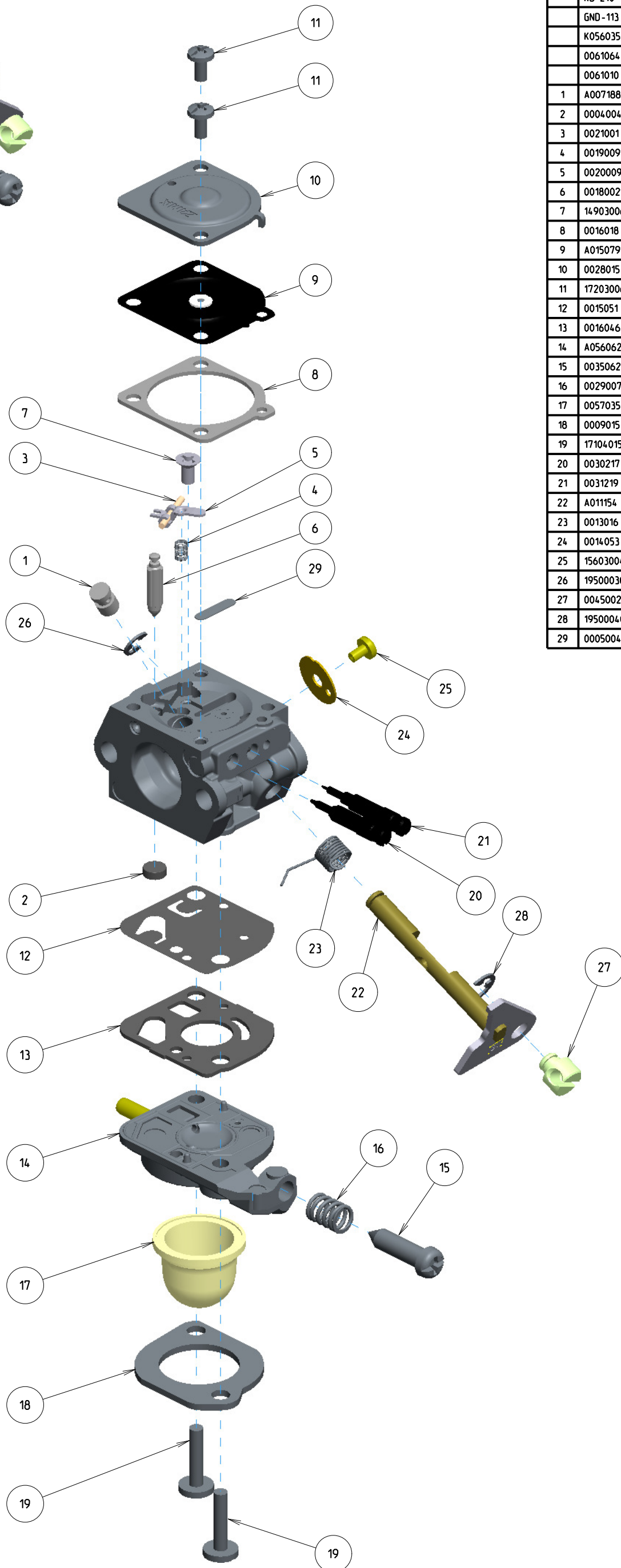


C1U-K53B



ITEM	ZAMA PART NR.	DESCRIPTION
	C1U-K53B	CARBURETOR ASSEMBLY
	RB-210	REBUILD KIT (2,3,4,5,6,8,9,12,13,29)
	GND-113	GASKET & DIAPHRAGM KIT (8,9,12,13)
	K056035	BASE KIT, PRIMER (14,15,16)
	0061064	LIMITER TAMPER RESIST (H)
	0061010	LIMITER TAMPER RESIST (L)
1	A007188	NOZZLE ASS'Y, CHECK VALVE
2	0004004	STRAINER
3	0021001	PIN
4	0019009	SPRING, METERING LEVER
5	0020009	LEVER, METERING
6	0018002	VALVE, INLET NEEDLE
7	14903006	SCREW
8	0016018	GASKET, METERING CHAMBER
9	A015079	DIAPHRAGM ASS'Y, METERING
10	0028015	COVER, METERING
11	17203006	SCREW (WITH SERRATION)
12	0015051	DIAPHRAGM, PUMP
13	0016046	GASKET, PUMP
14	A056062	BASE ASS'Y, PRIMER
15	0035062	SCREW, THROTTLE ADJUST
16	0029007	SPRING, ADJUST SCREW
17	0057035	SYRINGE
18	0009015	RETAINER
19	17104015	SCREW
20	0030217	SCREW, MAIN MIXTURE
21	0031219	SCREW, IDLE MIXTURE
22	A011154	SHAFT ASS'Y THROTTLE
23	0013016	SPRING, THROTTLE RETURN
24	0014053	VALVE, THROTTLE
25	15603004	SCREW
26	19500030	E-RING
27	0045002	POST
28	19500040	E-RING
29	0005004	PLUG, WELCH