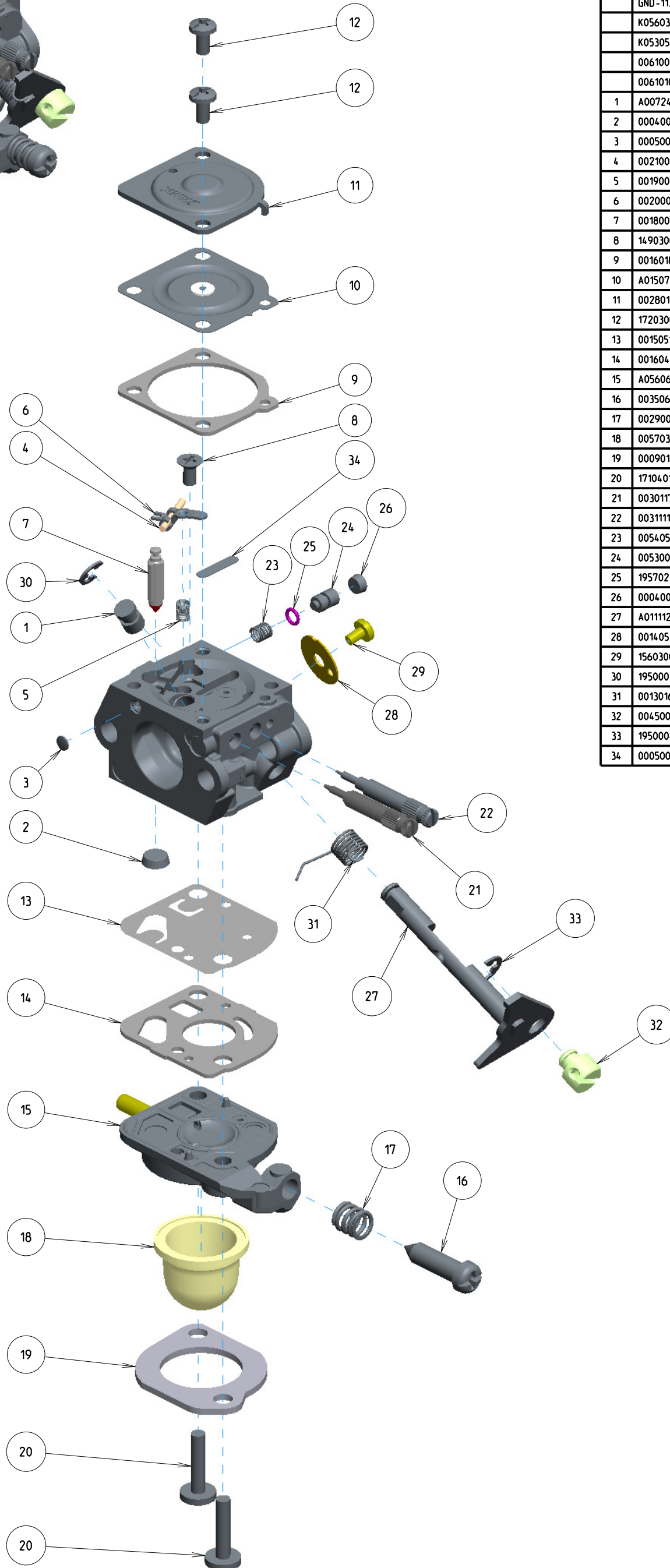


C1U-K51



| ITEM | ZAMA PART NR. | DESCRIPTION |
|------|---------------|---------------------------------------|
| | C1U-K51 | CARBURETOR ASSEMBLY |
| | RB-209 | REBUILD KIT (2,4,5,6,7,9,10,13,14,34) |
| | GND-113 | GASKET & DIAPHRAGM KIT (9,10,13,14) |
| | K056035 | BASE KIT, PRIMER (15,16,17) |
| | K053054 | PLUNGER KIT (23,24,25,26) |
| | 0061009 | LIMITER TAMPER RESIST (H) |
| | 0061010 | LIMITER TAMPER RESIST (L) |
| 1 | A007245 | NOZZLE ASS'Y, CHECK VALVE |
| 2 | 0004004 | STRAINER |
| 3 | 0005009 | PLUG, WELCH |
| 4 | 0021001 | PIN |
| 5 | 0019007 | SPRING, METERING LEVER |
| 6 | 0020009 | LEVER, METERING |
| 7 | 0018002 | VALVE, INLET NEEDLE |
| 8 | 14903006 | SCREW |
| 9 | 0016018 | GASKET, METERING CHAMBER |
| 10 | A015079 | DIAPHRAGM ASS'Y, METERING |
| 11 | 0028015 | COVER, METERING |
| 12 | 17203006 | SCREW (WITH SERRATION) |
| 13 | 0015051 | DIAPHRAGM, PUMP |
| 14 | 0016046 | GASKET, PUMP |
| 15 | A056062 | BASE ASS'Y, PRIMER |
| 16 | 0035062 | SCREW, THROTTLE ADJUST |
| 17 | 0029007 | SPRING, ADJUST SCREW |
| 18 | 0057035 | SYRINGE |
| 19 | 0009015 | RETAINER |
| 20 | 17104015 | SCREW |
| 21 | 0030117 | SCREW, MAIN MIXTURE |
| 22 | 0031111 | SCREW, IDLE MIXTURE |
| 23 | 0054055 | SPRING |
| 24 | 0053009 | PLUNGER |
| 25 | 195702308 | O-RING |
| 26 | 0004006 | STRAINER |
| 27 | A011112 | SHAFT ASS'Y THROTTLE |
| 28 | 0014053 | VALVE, THROTTLE |
| 29 | 15603004 | SCREW |
| 30 | 19500030 | E-RING |
| 31 | 0013016 | SPRING, THROTTLE RETURN |
| 32 | 0045002 | POST |
| 33 | 19500040 | E-RING |
| 34 | 0005004 | PLUG, WELCH |