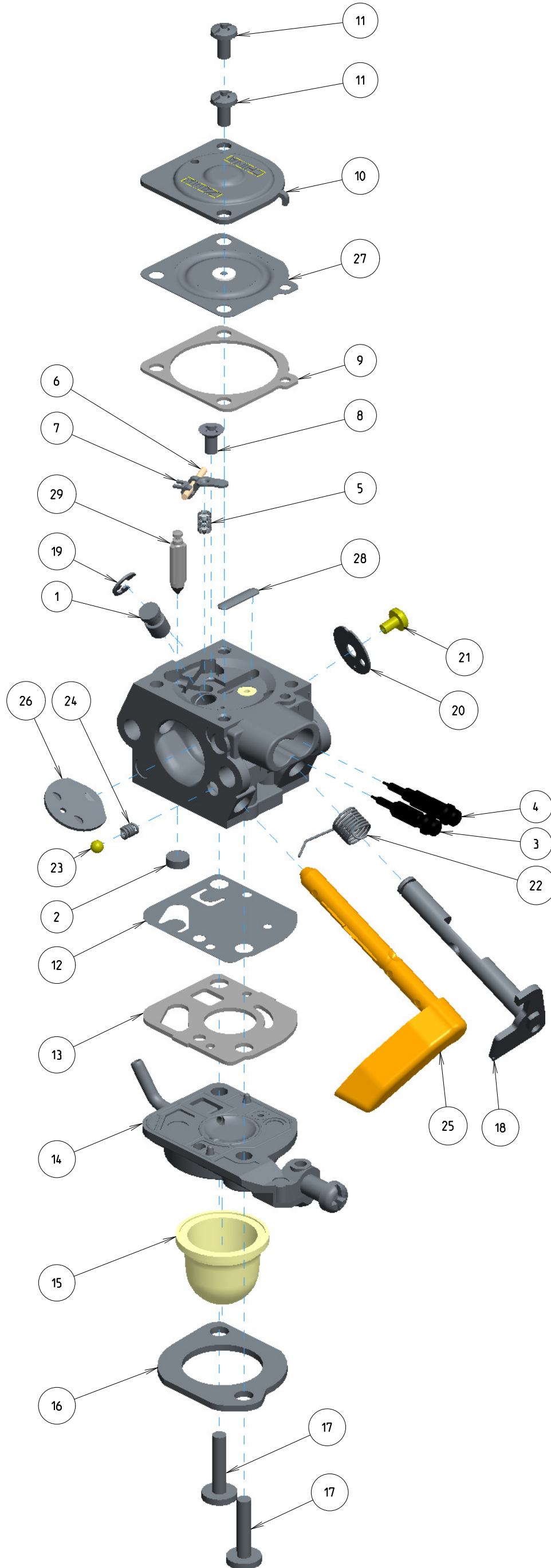




C1U-H66A



ITEM	ZAMA PART NR.	DESCRIPTION
	C1U-H66A	CARBURETOR ASSEMBLY
	RB-28	REBUILD KIT (2.5.6.7.9.12.13.27.28.29)
	GND-18	GASKET & DIAPHRAGM KIT (9.12.13.27)
1	A007199	NOZZLE ASS'Y. CHECK VALVE
2	0004004	STRAINER
3	0030241	SCREW, MAIN MIXTURE
4	0031241	SCREW, IDLE MIXTURE
5	0019002	SPRING, METERING LEVER
6	0021001	PIN
7	0020009	LEVER, METERING
8	14903006	SCREW
9	0016019	GASKET, METERING CHAMBER
10	0028022	COVER, METERING
11	17203006	SCREW (WITH SERRATION)
12	0015051	DIAPHRAGM, PUMP
13	0016046	GASKET, PUMP
14	K056702	BASE KIT, PRIMER
15	0057030	SYRINGE
16	0009015	RETAINER
17	17104015	SCREW
18	A011198	SHAFT ASS'Y. THROTTLE
19	19500030	E-RING
20	0014702	VALVE, THROTTLE
21	15603004	SCREW
22	0013016	SPRING, THROTTLE RETURN
23	0038001	SPRING, FRICTION
24	19290030	BALL, STEEL
25	0041170	SHAFT, CHOKE
26	0043059	VALVE, CHOKE
27	A015010	DIAPHRAGM, METERING ASSEMBLY
28	0005004	PLUG, WELCH
29	0018002	VALVE, INLET NEEDLE