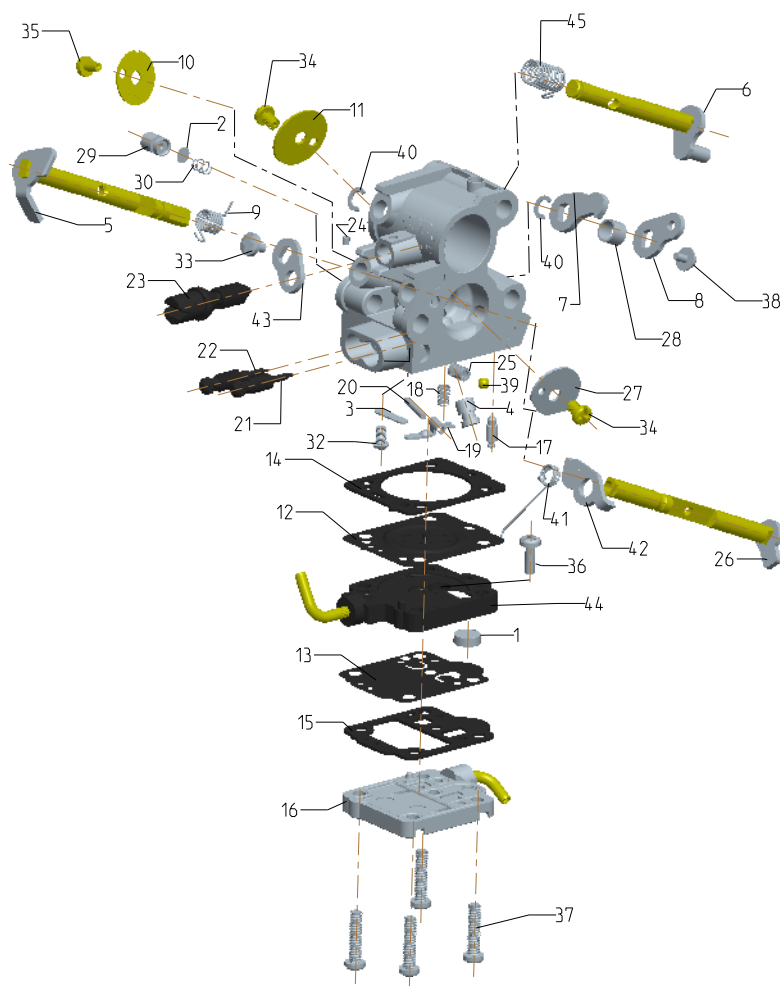


* THIS ILLUSTRATION DOES NOT REPRESENT EVERY MODEL. THIS IS INTENDED FOR A GENERIC REFERENCE ONLY.

C1T TYPE



REF.NO.	PART NAME
1	STRAINER
2	STRAINER
3	PLUG,WELCH
4	NOZZLE ASS'Y, CHECK VALVE
5	SHAFT ASS'Y, THROTTLE
6	SHAFT ASS'Y, AIRHEAD
7	LEVER, THROTTLE
8	LEVER, THROTTLE
9	SPRING, THROTTLE RETURN
10	VALVE, THROTTLE
11	VALVE, THROTTLE AIRHEAD
12	DIAPHRAGM ASS'Y, METERING
13	DIAPHRAGM, PUMP
14	GASKET, METERING CHAMBER
15	GASKET, PUMP
16	COVER, PUMP
17	VALVE, INLET NEEDLE
18	SPRING, METERING LEVER
19	LEVER,METERING
20	PIN
21	SCREW , MAIN MIXTURE
22	SCREW , IDLE MIXTURE
23	SCREW , THROTTLE ADJUST
24	PIECE, FRICTION
25	SPRING, FRICTION
26	SHAFT ASS'Y, CHOKE
27	VALVE, CHOKE
28	COLLAR
29	PLUNGER KIT
30	SPRING (PLUNGER RETURN)
31	PRIMER KIT, EXTERNAL
32	SCREW (PIN)
33	SCREW (CHOKE LEVER)
34	SCREW (AIRHEAD & CHOKE VALVE)
35	SCREW (THROTTLE VALVE)
36	SCREW (PUMP BODY)
37	SCREW (PUMP BODY)
38	SCREW (THROTTLE LEVER)
39	BALL , STEEL
40	E-RING
41	SPRING, CHOKE RETURN
42	LEVER, CHOKE
43	LEVER, CHOKE
44	PUMP, BODY ASS'Y
45	SPRING, AIRHEAD

