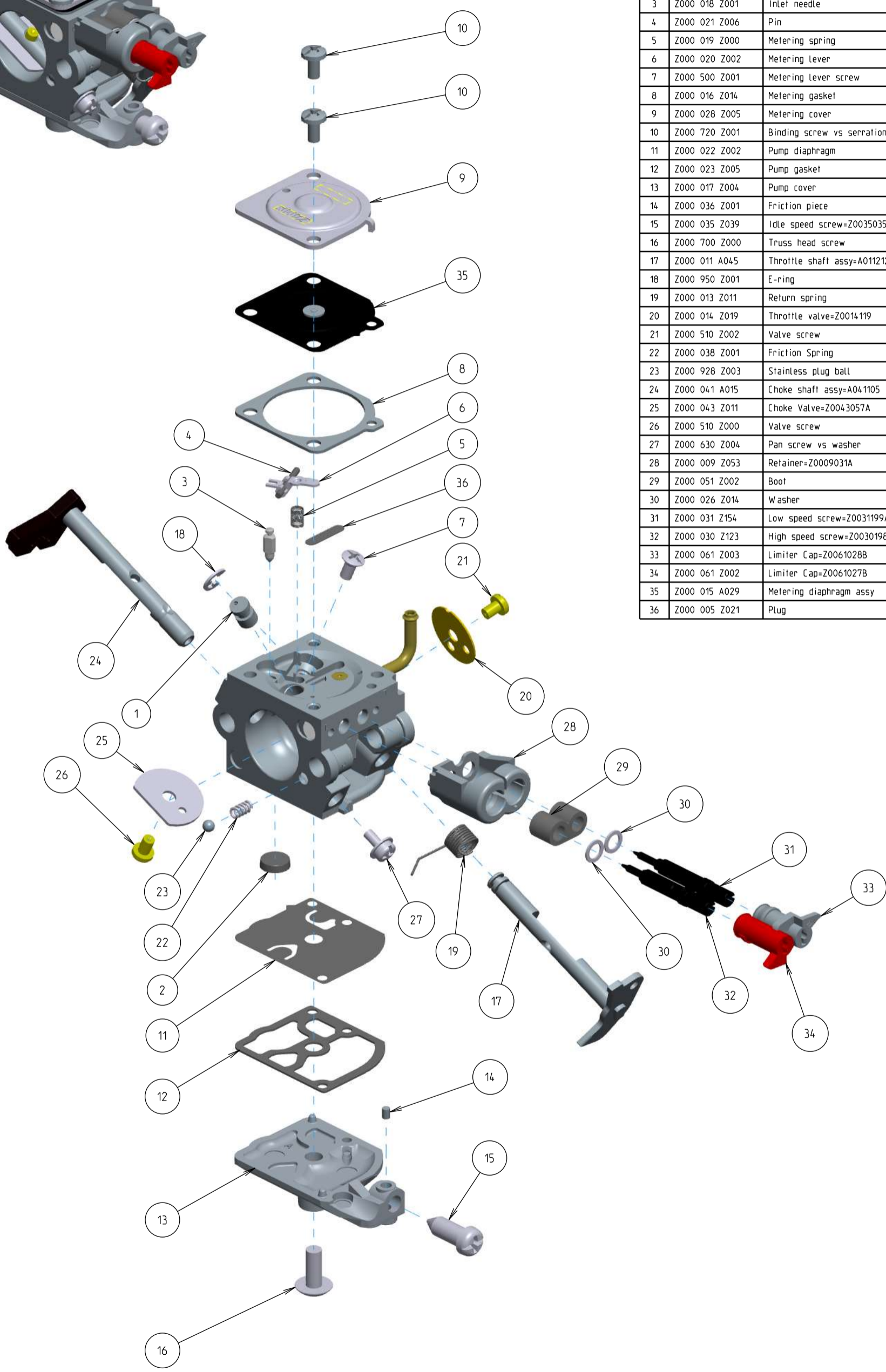
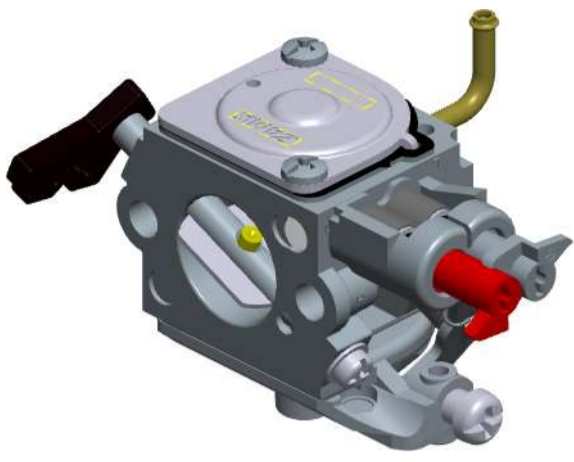


Z014-120-0632-A



ITEM	ZAMA PART NR.	DESCRIPTION
	Z014-120-0632-A	Carburetor C10
	Z000 001 K039	REBUILD KIT (2.3.4.5.6.8.11.12.35.36)
	Z000 003 K043	GASKET & DIAPHRAGM KIT (8.11.12.35)
1	Z000 007 A152	Nozzle assy=A007237A
2	Z000 004 Z000	Strainer
3	Z000 018 Z001	Inlet needle
4	Z000 021 Z006	Pin
5	Z000 019 Z000	Metering spring
6	Z000 020 Z002	Metering Lever
7	Z000 500 Z001	Metering Lever screw
8	Z000 016 Z014	Metering gasket
9	Z000 028 Z005	Metering cover
10	Z000 720 Z001	Binding screw vs serration
11	Z000 022 Z002	Pump diaphragm
12	Z000 023 Z005	Pump gasket
13	Z000 017 Z004	Pump cover
14	Z000 036 Z001	Friction piece
15	Z000 035 Z039	Idle speed screw=Z0035035A
16	Z000 700 Z000	Truss head screw
17	Z000 011 A045	Throttle shaft assy=A011212A
18	Z000 950 Z001	E-ring
19	Z000 013 Z011	Return spring
20	Z000 014 Z019	Throttle valve=Z0014119
21	Z000 510 Z002	Valve screw
22	Z000 038 Z001	Friction Spring
23	Z000 928 Z003	Stainless plug ball
24	Z000 041 A015	Choke shaft assy=A041105
25	Z000 043 Z011	Choke Valve=Z0043057A
26	Z000 510 Z000	Valve screw
27	Z000 630 Z004	Pan screw vs washer
28	Z000 009 Z053	Retainer=Z0009031A
29	Z000 051 Z002	Boot
30	Z000 026 Z014	Washer
31	Z000 031 Z154	Low speed screw=Z0031199A
32	Z000 030 Z123	High speed screw=Z0030198A
33	Z000 061 Z003	Limiter Cap=Z0061028B
34	Z000 061 Z002	Limiter Cap=Z0061027B
35	Z000 015 A029	Metering diaphragm assy
36	Z000 005 Z021	Plug