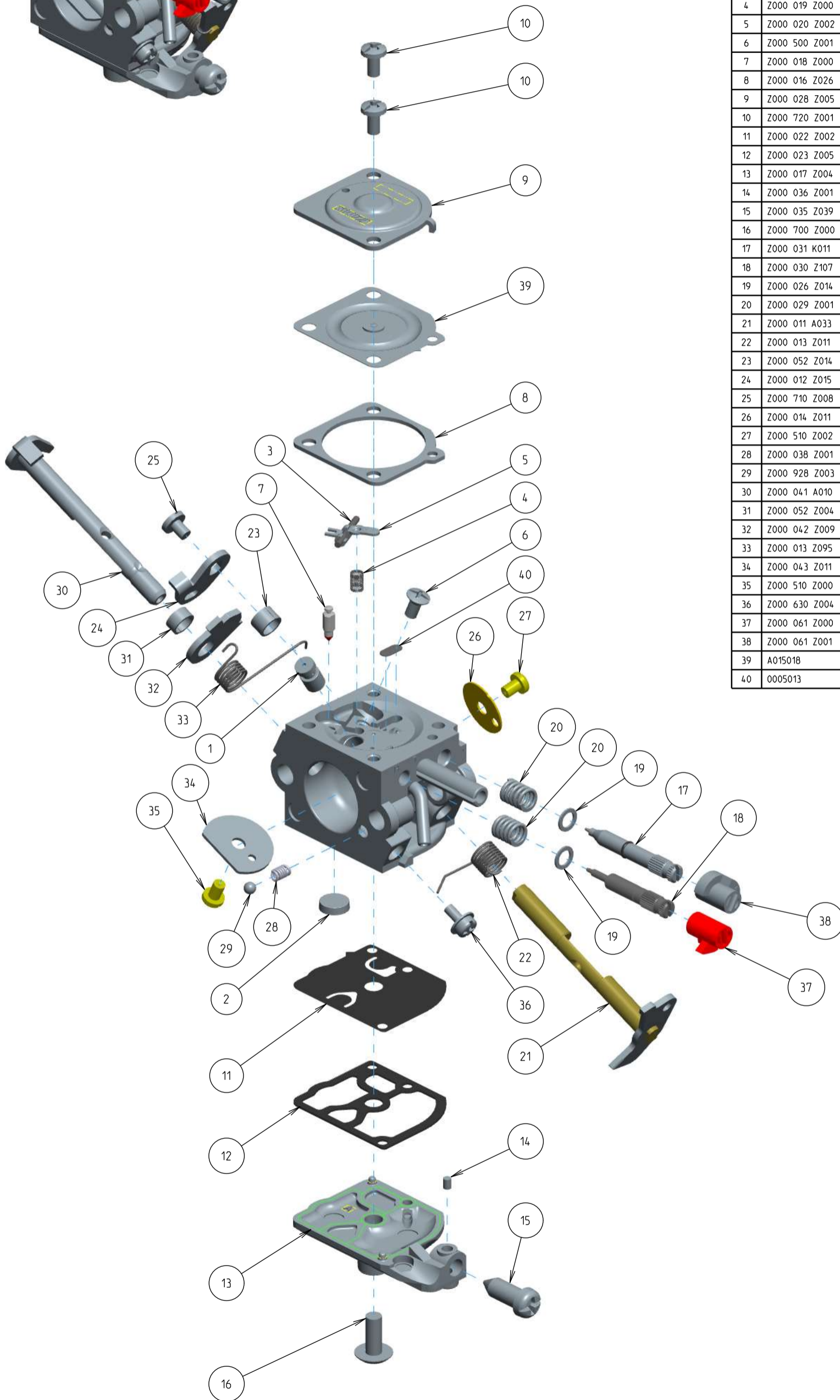
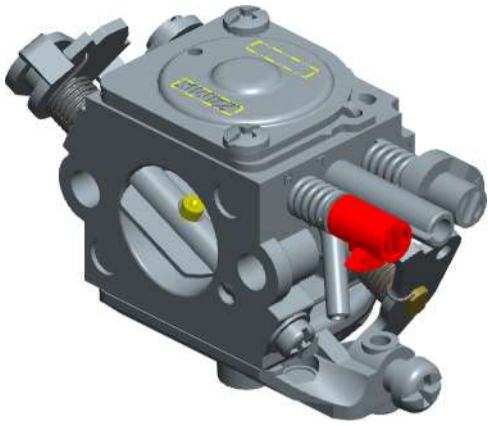


# Z014-120-0631-A



ITEM	ZAMA PART NR.	DESCRIPTION
	Z014-120-0631-A	CARBURETOR ASSEMBLY
	Z000 001 K104	REBUILD KIT (2.3.4.5.7.8.11.12.39.40)
	Z000 003 K034	GASKET & DIAPHRAGM KIT (8.11.12.39)
1	Z000 007 A151	Nozzle assy
2	Z000 004 Z000	Strainer
3	Z000 021 Z006	Pin
4	Z000 019 Z000	Metering spring
5	Z000 020 Z002	Metering Lever
6	Z000 500 Z001	Metering Lever screw
7	Z000 018 Z000	Inlet needle
8	Z000 016 Z026	Metering gasket
9	Z000 028 Z005	Metering cover
10	Z000 720 Z001	Binding screw vs serration
11	Z000 022 Z002	Pump diaphragm
12	Z000 023 Z005	Pump gasket
13	Z000 017 Z004	Pump cover
14	Z000 036 Z001	Friction piece
15	Z000 035 Z039	Idle speed screw
16	Z000 700 Z000	Truss head screw
17	Z000 031 K011	Low speed screw kit
18	Z000 030 Z107	High speed screw
19	Z000 026 Z014	Washer
20	Z000 029 Z001	Adjustment screw spring
21	Z000 011 A033	Throttle shaft assy
22	Z000 013 Z011	Return spring
23	Z000 052 Z014	Collar
24	Z000 012 Z015	Throttle lever
25	Z000 710 Z008	Binding head screw
26	Z000 014 Z011	Throttle valve
27	Z000 510 Z002	Valve screw
28	Z000 038 Z001	Friction Spring
29	Z000 928 Z003	Stainless plug ball
30	Z000 041 A010	Choke shaft assy
31	Z000 052 Z004	Collar
32	Z000 042 Z009	Choke lever
33	Z000 013 Z095	Return spring
34	Z000 043 Z011	Choke Valve
35	Z000 510 Z000	Valve screw
36	Z000 630 Z004	Pan screw vs washer
37	Z000 061 Z000	Limiter Cap
38	Z000 061 Z001	Limiter Cap
39	A015018	DIAPHRAGM ASS'Y. METERING
40	0005013	PLUG, WELCH