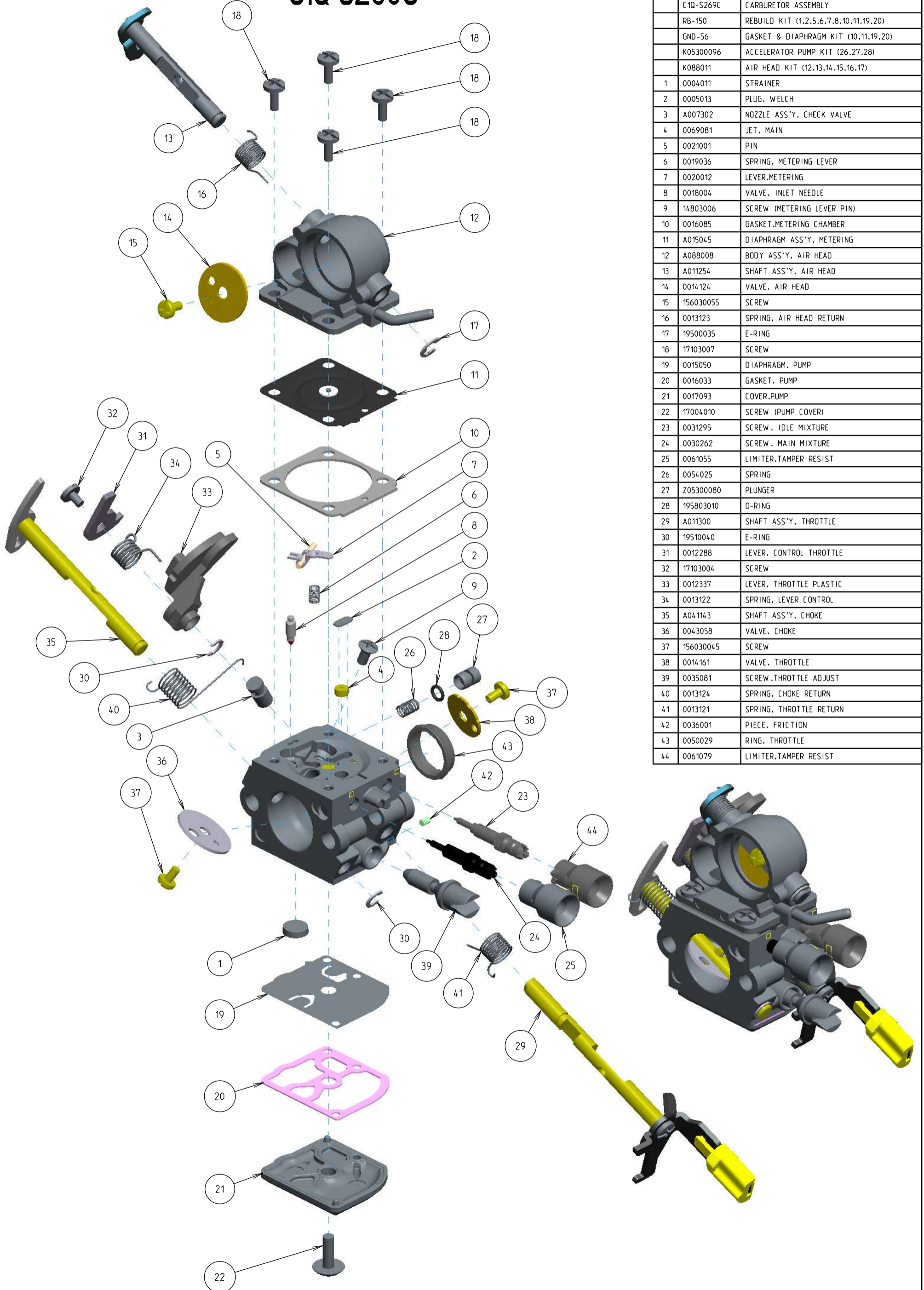


C1Q-S269C



| ITEM | ZAMA PART NR. | DESCRIPTION |
|------|---------------|---------------------------------------|
| | C1Q-S269C | CARBURETOR ASSEMBLY |
| | RB-150 | REBUILD KIT (1,2,5,6,7,8,10,11,19,20) |
| | GND-56 | GASKET & DIAPHRAGM KIT (10,11,19,20) |
| | K05300096 | ACCELERATOR PUMP KIT (26,27,28) |
| | K088011 | AIR HEAD KIT (12,13,14,15,16,17) |
| 1 | 0004011 | STRAINER |
| 2 | 0005013 | PLUG, WELCH |
| 3 | A007302 | NOZZLE ASS'Y, CHECK VALVE |
| 4 | 0069081 | JET, MAIN |
| 5 | 0021001 | PIN |
| 6 | 0019036 | SPRING, METERING LEVER |
| 7 | 0020012 | LEVER, METERING |
| 8 | 0018004 | VALVE, INLET NEEDLE |
| 9 | 14803006 | SCREW (METERING LEVER PIN) |
| 10 | 0016085 | GASKET, METERING CHAMBER |
| 11 | A015045 | DIAPHRAGM ASS'Y, METERING |
| 12 | A088008 | BODY ASS'Y, AIR HEAD |
| 13 | A011254 | SHAFT ASS'Y, AIR HEAD |
| 14 | 0014124 | VALVE, AIR HEAD |
| 15 | 156030055 | SCREW |
| 16 | 0013123 | SPRING, AIR HEAD RETURN |
| 17 | 19500035 | E-RING |
| 18 | 17103007 | SCREW |
| 19 | 0015050 | DIAPHRAGM, PUMP |
| 20 | 0016033 | GASKET, PUMP |
| 21 | 0017093 | COVER, PUMP |
| 22 | 17004010 | SCREW (PUMP COVER) |
| 23 | 0031295 | SCREW, IDLE MIXTURE |
| 24 | 0030262 | SCREW, MAIN MIXTURE |
| 25 | 0061055 | LIMITER, TAMPER RESIST |
| 26 | 0054025 | SPRING |
| 27 | Z05300080 | PLUNGER |
| 28 | 195803010 | O-RING |
| 29 | A011300 | SHAFT ASS'Y, THROTTLE |
| 30 | 19510040 | E-RING |
| 31 | 0012288 | LEVER, CONTROL THROTTLE |
| 32 | 17103004 | SCREW |
| 33 | 0012337 | LEVER, THROTTLE PLASTIC |
| 34 | 0013122 | SPRING, LEVER CONTROL |
| 35 | A041143 | SHAFT ASS'Y, CHOKE |
| 36 | 0043058 | VALVE, CHOKE |
| 37 | 156030045 | SCREW |
| 38 | 0014161 | VALVE, THROTTLE |
| 39 | 0035081 | SCREW, THROTTLE ADJUST |
| 40 | 0013124 | SPRING, CHOKE RETURN |
| 41 | 0013121 | SPRING, THROTTLE RETURN |
| 42 | 0036001 | PIECE, FRICTION |
| 43 | 0050029 | RING, THROTTLE |
| 44 | 0061079 | LIMITER, TAMPER RESIST |