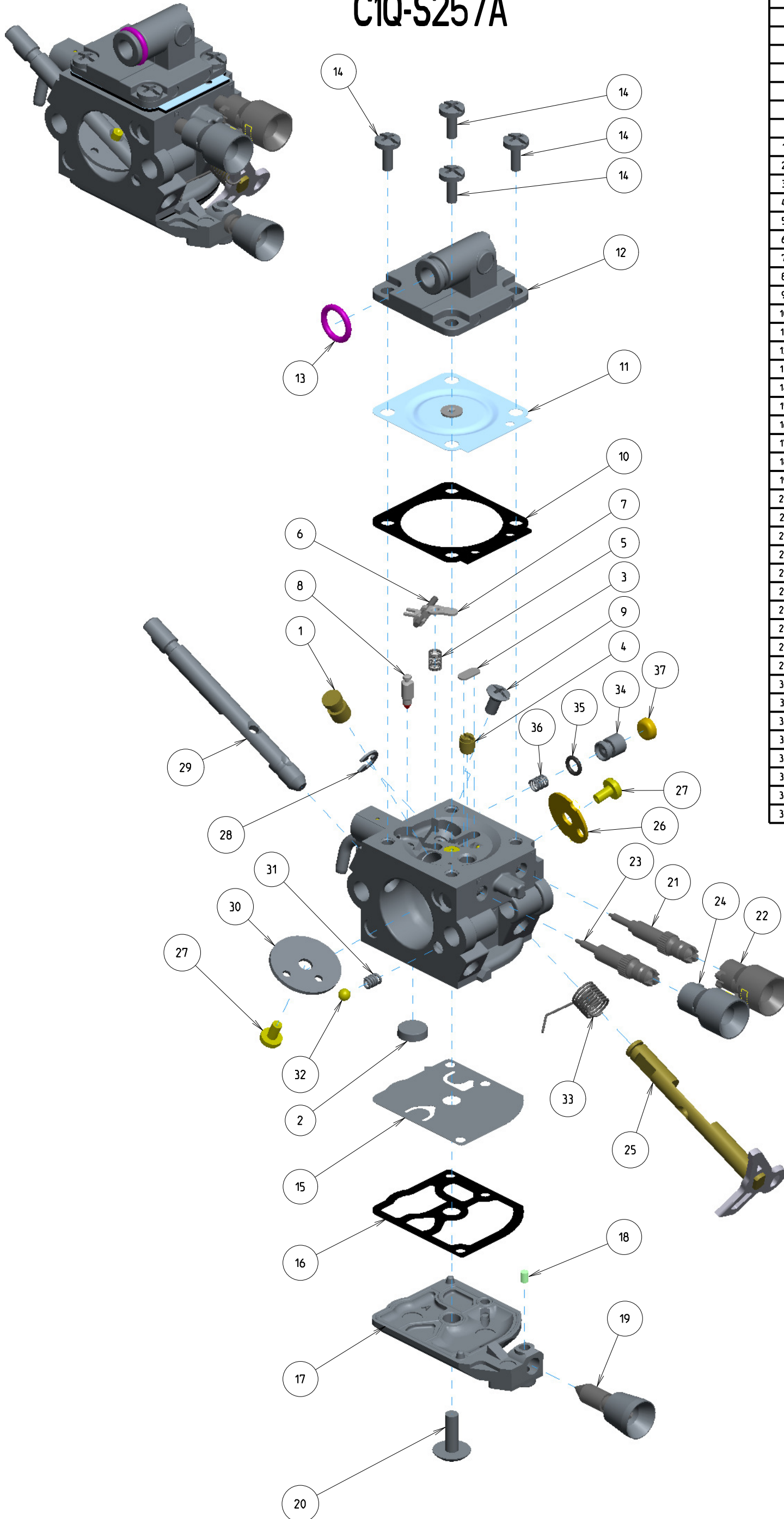


# C1Q-S257A



| ITEM | ZAMA PART NR. | DESCRIPTION                           |
|------|---------------|---------------------------------------|
|      | C1Q-S257A     | CARBURETOR ASSEMBLY                   |
|      | RB-69         | REBUILD KIT (2.3.5.6.7.8.10.11.15.16) |
|      | GND-39        | GASKET & DIAPHRAGM KIT (10.11.15.16)  |
|      | K017083       | COVER KIT, PUMP (17.18.19)            |
|      | K05300106     | ACCELERATOR PUMP KIT (34.35.36.37)    |
|      | K030106       | SCREW MAIN KIT (23.24)                |
|      | K031168       | SCREW IDLE KIT (21.22)                |
| 1    | A007230       | NOZZLE ASS'Y, CHECK VALVE             |
| 2    | 0004011       | STRAINER                              |
| 3    | 0005013       | PLUG, WELCH                           |
| 4    | 0070077       | JET,REMOTE                            |
| 5    | 0019012       | SPRING, METERING LEVER                |
| 6    | 0021001       | PIN                                   |
| 7    | 0020012       | LEVER,METERING                        |
| 8    | 0018004       | VALVE, INLET NEEDLE                   |
| 9    | 14803006      | SCREW (METERING LEVER PIN)            |
| 10   | 0016021       | GASKET,METERING CHAMBER               |
| 11   | A015011       | DIAPHRAGM ASS'Y, METERING             |
| 12   | 0028036       | COVER, METERING                       |
| 13   | 195507015     | O-RING                                |
| 14   | 17103007      | SCREW                                 |
| 15   | 0015050       | DIAPHRAGM, PUMP                       |
| 16   | 0016033       | GASKET, PUMP                          |
| 17   | 0017088       | COVER,PUMP                            |
| 18   | 0036001       | PIECE, FRICTION                       |
| 19   | A035001       | SCREW ASS'Y, THROTTLE ADJUST          |
| 20   | 17004010      | SCREW (PUMP COVER)                    |
| 21   | 0031292       | SCREW, IDLE MIXTURE                   |
| 22   | 0061079       | LIMITER,TAMPER RESIST                 |
| 23   | 0030185       | SCREW,MAIN MIXTURE                    |
| 24   | 0061055       | LIMITER,TAMPER RESIST                 |
| 25   | A011260       | SHAFT ASS'Y, THROTTLE                 |
| 26   | 0014115       | VALVE, THROTTLE                       |
| 27   | 156030045     | SCREW                                 |
| 28   | 19500030      | E-RING                                |
| 29   | 0041134       | SHAFT, CHOKE                          |
| 30   | 0043027       | VALVE, CHOKE                          |
| 31   | 0038001       | SPRING, FRICTION                      |
| 32   | 19290030      | BALL, STEEL                           |
| 33   | 0013016       | SPRING, THROTTLE RETURN               |
| 34   | Z05300082     | PLUNGER                               |
| 35   | 195803010     | O-RING                                |
| 36   | 0054057       | SPRING                                |
| 37   | 0005048       | PLUG,ACC POCKET                       |