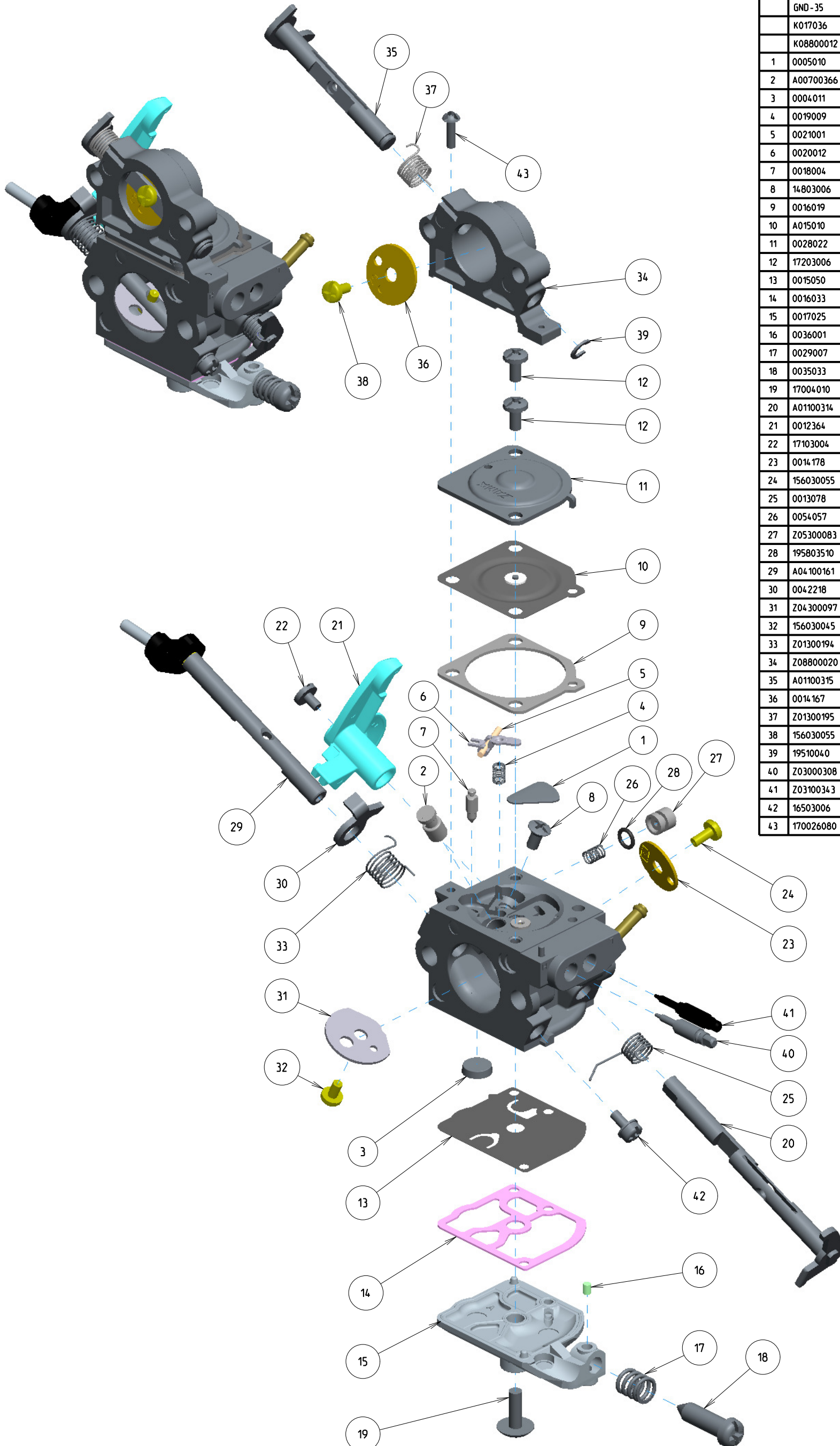


# C1Q-120007A



ITEM	ZAMA PART NR.	DESCRIPTION
	C1Q-120007A	CARBURETOR ASSEMBLY
	RB-50	REBUILD KIT (1.3.4.5.6.7.9.10.13.14)
	GND-35	GASKET & DIAPHRAGM KIT (9.10.13.14)
	K017036	COVER KIT, PUMP (15.16.17.18)
	K08800012	AIR HEAD KIT (34.35.36.37.38.39)
1	0005010	PLUG, WELCH
2	A00700366	NOZZLE ASS'Y, CHECK VALVE
3	0004011	STRAINER
4	0019009	SPRING, METERING LEVER
5	0021001	PIN
6	0020012	LEVER, METERING
7	0018004	VALVE, INLET NEEDLE
8	14803006	SCREW (METERING LEVER PIN)
9	0016019	GASKET, METERING CHAMBER
10	A015010	DIAPHRAGM ASS'Y, METERING
11	0028022	COVER, METERING
12	17203006	SCREW (WITH SERRATION)
13	0015050	DIAPHRAGM, PUMP
14	0016033	GASKET, PUMP
15	0017025	COVER, PUMP
16	0036001	PIECE, FRICTION
17	0029007	SPRING, ADJUST SCREW
18	0035033	SCREW, THROTTLE ADJUST
19	17004010	SCREW (PUMP COVER)
20	A01100314	SHAFT, ASS'Y THROTTLE
21	0012364	LEVER, THROTTLE
22	17103004	SCREW
23	0014178	VALVE, THROTTLE
24	156030055	SCREW
25	0013078	SPRING, THROTTLE RETURN
26	0054057	SPRING
27	Z05300083	PLUNGER
28	195803510	O-RING
29	A04100161	SHAFT ASS'Y, CHOKE
30	0042218	LEVER, CHOKE
31	Z04300097	VALVE, CHOKE
32	156030045	SCREW
33	Z01300194	SPRING, CHOKE RETURN
34	Z08800020	BODY, AIR HEAD
35	A01100315	SHAFT ASS'Y, AIR HEAD
36	0014167	VALVE, THROTTLE
37	Z01300195	SPRING, AIR HEAD RETURN
38	156030055	SCREW
39	19510040	E-RING
40	Z03000308	SCREW, MAIN MIXTURE
41	Z03100343	SCREW, IDLE MIXTURE
42	16503006	SCREW (WITH PLAIN WASHER)
43	170026080	SCREW