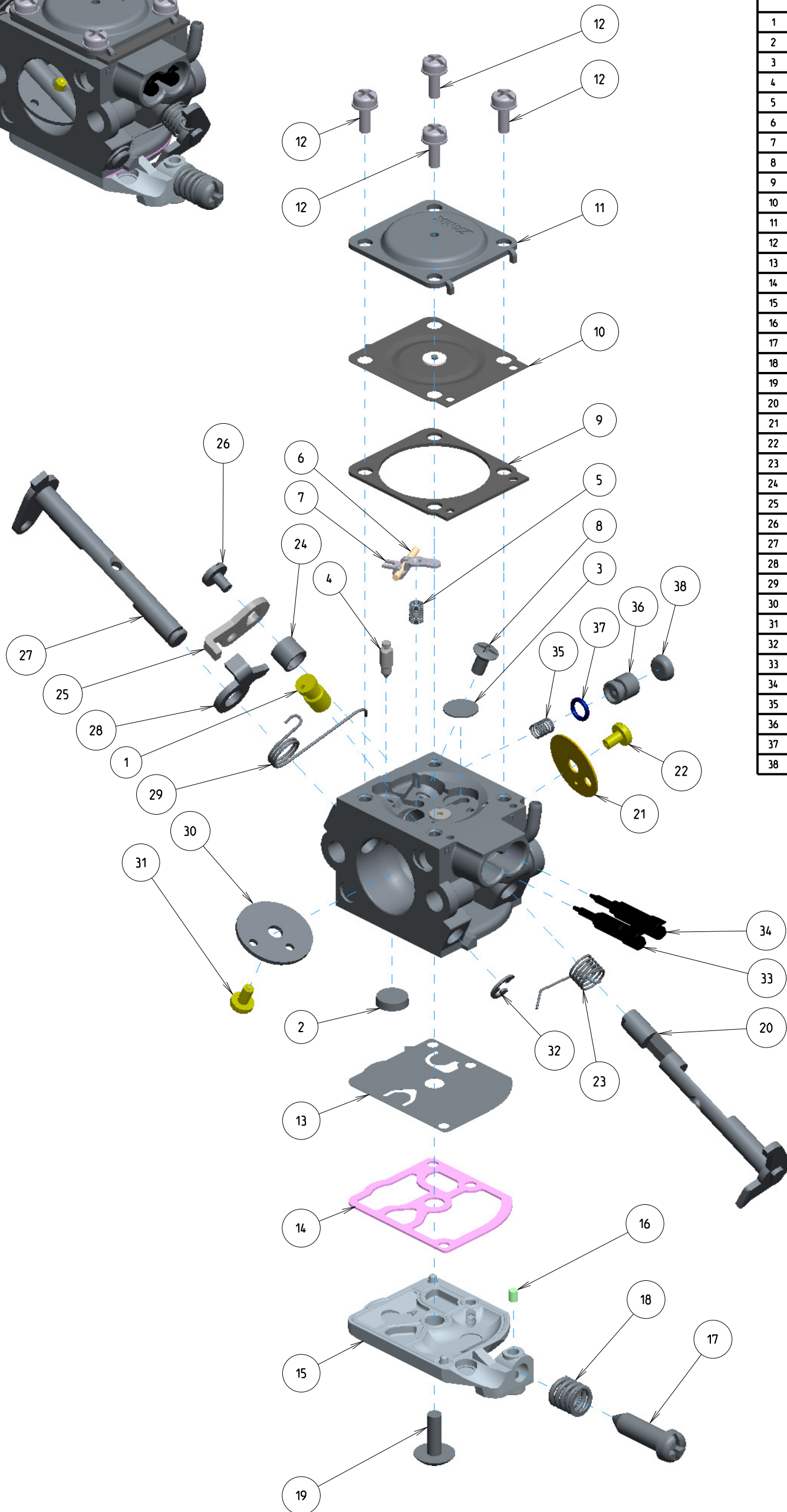
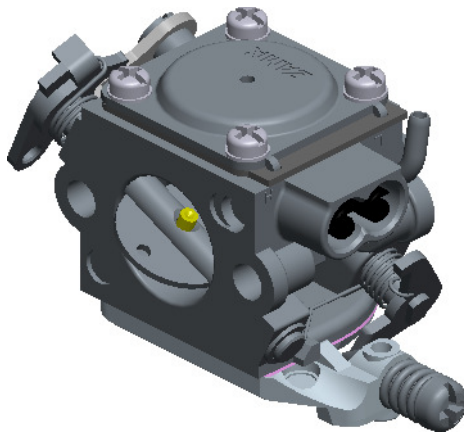


C1Q-110144A



| ITEM | ZAMA PART NR. | DESCRIPTION |
|------|---------------|--------------------------------------|
| | C1Q-110144A | CARBURETOR ASSEMBLY |
| | RB-254 | REBUILD KIT (2,3,4,5,6,7,9,10,13,14) |
| | GND-141 | GASKET & DIAPHRAGM KIT (9,10,13,14) |
| | K017103 | COVER KIT, PUMP (15,16,17,18) |
| 1 | A00700335 | NOZZLE ASS'Y, CHECK VALVE |
| 2 | 0004011 | STRAINER |
| 3 | 0005056 | PLUG, WELCH |
| 4 | 0018004 | VALVE, INLET NEEDLE |
| 5 | 0019009 | SPRING, METERING LEVER |
| 6 | 0021001 | PIN |
| 7 | 0020012 | LEVER, METERING |
| 8 | 14803006 | SCREW (METERING LEVER PIN) |
| 9 | 0016119 | GASKET, METERING CHAMBER |
| 10 | A015089 | DIAPHRAGM ASS'Y, METERING |
| 11 | 0028069 | COVER, METERING |
| 12 | 165030080 | SCREW (WITH PLAIN WASHER) |
| 13 | 0015050 | DIAPHRAGM, PUMP |
| 14 | 0016033 | GASKET, PUMP |
| 15 | 0017124 | COVER, PUMP |
| 16 | 0036001 | PIECE, FRICTION |
| 17 | 0035033 | SCREW, THROTTLE ADJUST |
| 18 | 0029006 | SPRING, ADJUST SCREW |
| 19 | 17004010 | SCREW (PUMP COVER) |
| 20 | A01100329 | SHAFT ASS'Y, THROTTLE |
| 21 | Z01400188 | VALVE, THROTTLE |
| 22 | 15603004 | SCREW |
| 23 | 0013078 | SPRING, THROTTLE RETURN |
| 24 | 0052006 | COLLAR |
| 25 | Z01200396 | LEVER, THROTTLE |
| 26 | 17103004 | SCREW |
| 27 | A041146 | SHAFT ASS'Y, CHOKE |
| 28 | 0042218 | LEVER, CHOKE |
| 29 | Z01300206 | SPRING, CHOKE RETURN |
| 30 | 0043019 | VALVE, CHOKE |
| 31 | 156030045 | SCREW |
| 32 | 19500030 | E-RING |
| 33 | Z03000338 | SCREW, MAIN MIXTURE |
| 34 | Z03100337 | SCREW, IDLE MIXTURE |
| 35 | 0054057 | SPRING |
| 36 | 0053065 | PLUNGER |
| 37 | 195703510 | O-RING |
| 38 | 0005049 | PLUG, Acc. POCKET |