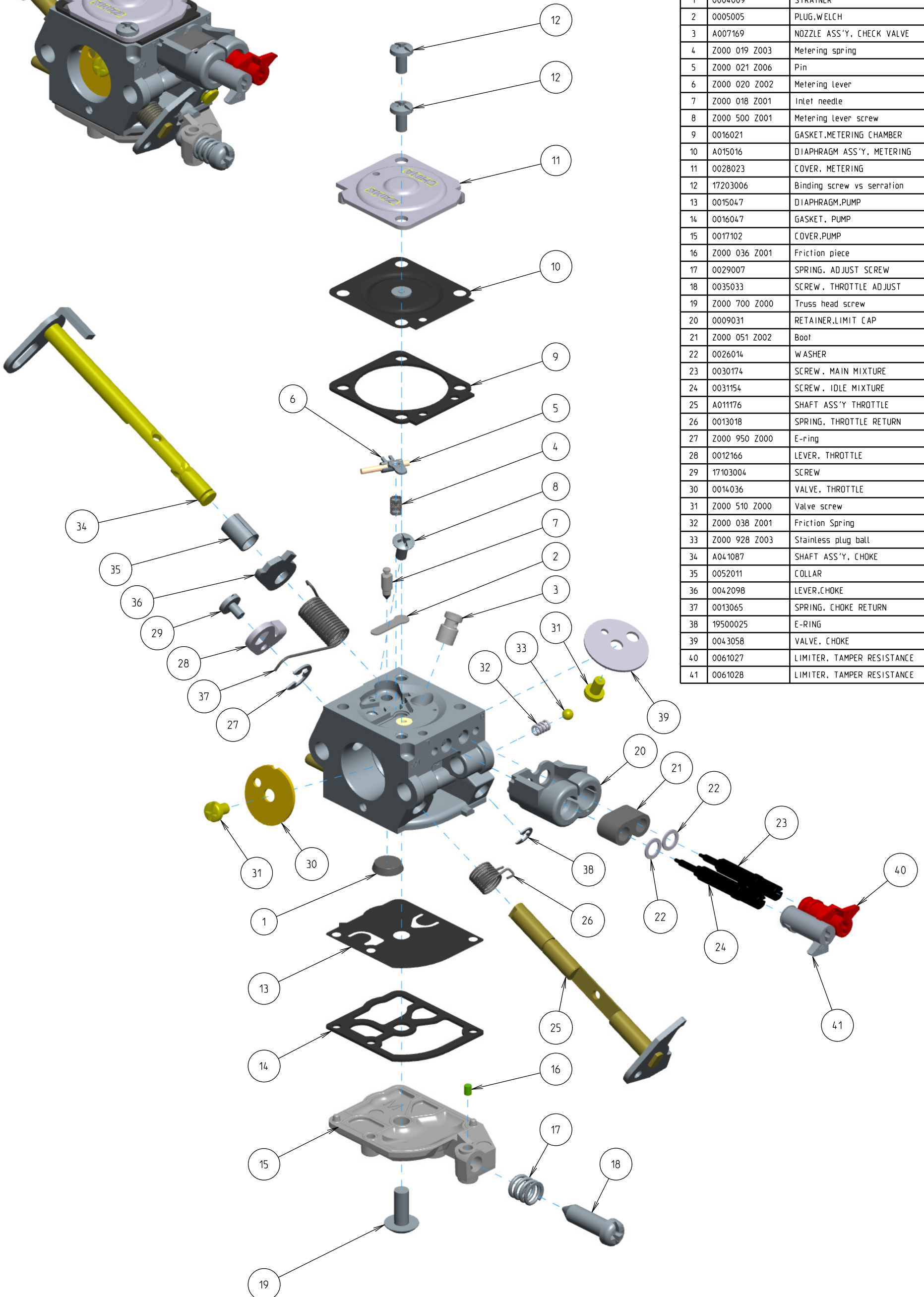
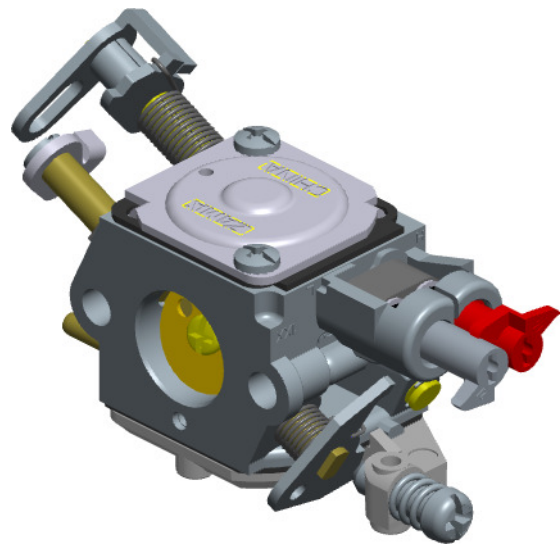


# Z021-120-0608-A



ITEM	ZAMA PART NR.	DESCRIPTION
	Z021-120-0608-A	CARBURETOR ASSEMBLY
	Z000 001 K044	REBUILD KIT (1,2,4,5,6,7,9,10,13,14)
	GND-43	GASKET & DIAPHRAGM KIT (9,10,13,14)
	K017091	COVER KIT, PUMP (15,16,17,18)
1	0004009	STRAINER
2	0005005	PLUG,WELCH
3	A007169	NOZZLE ASS'Y, CHECK VALVE
4	Z000 019 Z003	Metering spring
5	Z000 021 Z006	Pin
6	Z000 020 Z002	Metering lever
7	Z000 018 Z001	Inlet needle
8	Z000 500 Z001	Metering lever screw
9	0016021	GASKET,METERING CHAMBER
10	A015016	DIAPHRAGM ASS'Y, METERING
11	0028023	COVER, METERING
12	17203006	Binding screw vs serration
13	0015047	DIAPHRAGM,PUMP
14	0016047	GASKET, PUMP
15	0017102	COVER,PUMP
16	Z000 036 Z001	Friction piece
17	0029007	SPRING, ADJUST SCREW
18	0035033	SCREW, THROTTLE ADJUST
19	Z000 700 Z000	Truss head screw
20	0009031	RETAINER,LIMIT CAP
21	Z000 051 Z002	Boot
22	0026014	WASHER
23	0030174	SCREW, MAIN MIXTURE
24	0031154	SCREW, IDLE MIXTURE
25	A011176	SHAFT ASS'Y THROTTLE
26	0013018	SPRING, THROTTLE RETURN
27	Z000 950 Z000	E-ring
28	0012166	LEVER, THROTTLE
29	17103004	SCREW
30	0014036	VALVE, THROTTLE
31	Z000 510 Z000	Valve screw
32	Z000 038 Z001	Friction Spring
33	Z000 928 Z003	Stainless plug ball
34	A041087	SHAFT ASS'Y, CHOKE
35	0052011	COLLAR
36	0042098	LEVER,CHOKE
37	0013065	SPRING, CHOKE RETURN
38	19500025	E-RING
39	0043058	VALVE, CHOKE
40	0061027	LIMITER, TAMPER RESISTANCE
41	0061028	LIMITER, TAMPER RESISTANCE