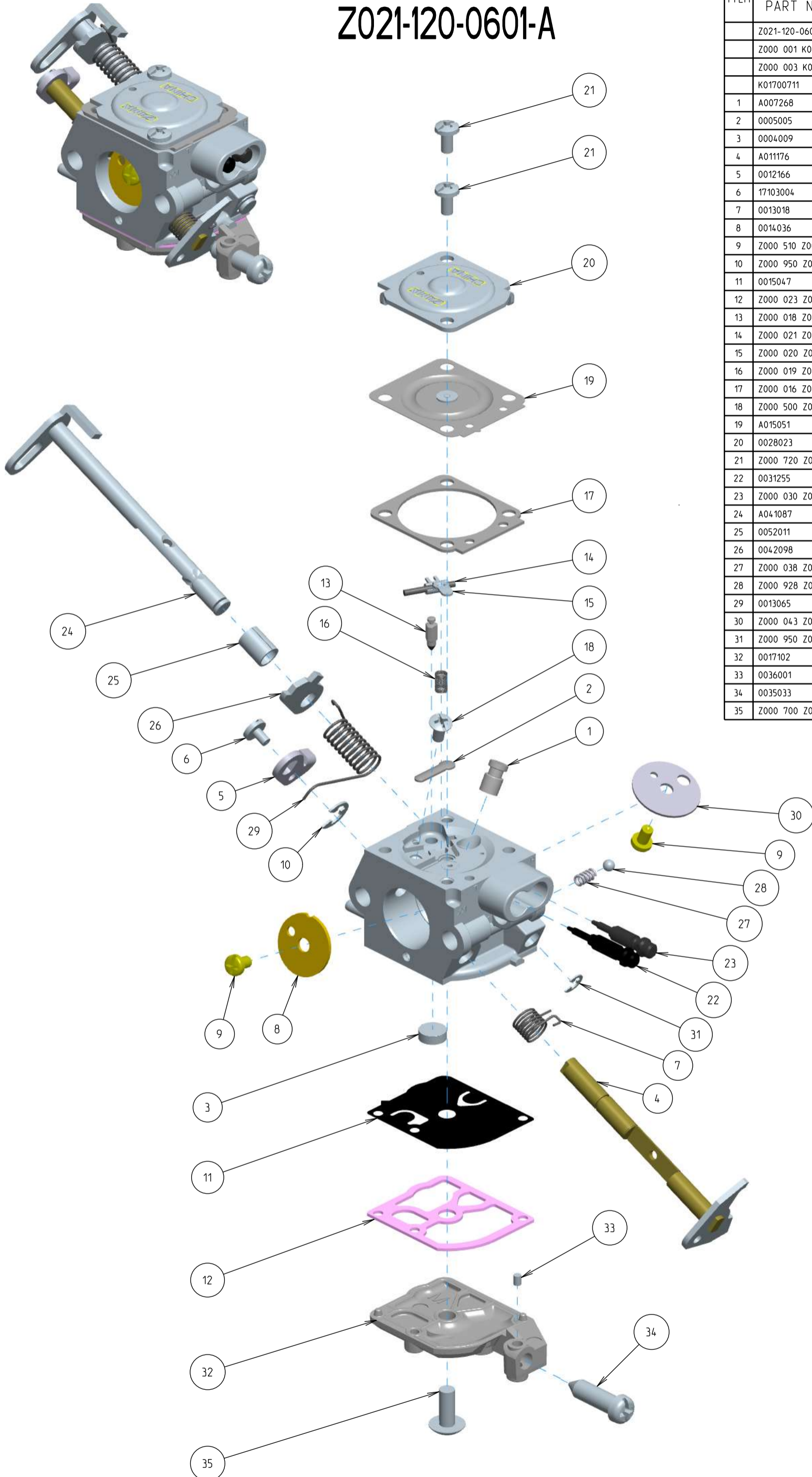


Z021-120-0601-A



ITEM	ZAMA PART NR.	DESCRIPTION
	Z021-120-0601-A	Carburetor C1M
	Z000 001 K012	REBUILD KIT (2,3,11,12,13,14,15,16,17,19)
	Z000 003 K005	GASKET & DIAPHRAGM KIT (11,12,17,19)
	K01700711	COVER KIT, PUMP (32,33,34)
1	A007268	NOZZLE ASS'Y, CHECK VALVE
2	0005005	PLUG, WELCH
3	0004009	STRAINER
4	A011176	SHAFT ASS'Y THROTTLE
5	0012166	LEVER, THROTTLE
6	17103004	Binding head screw
7	0013018	SPRING, THROTTLE RETURN
8	0014036	VALVE, THROTTLE
9	Z000 510 Z000	Valve screw
10	Z000 950 Z000	E-ring
11	0015047	DIAPHRAGM,PUMP
12	Z000 023 Z003	Pump gasket
13	Z000 018 Z001	Inlet needle
14	Z000 021 Z006	Pin
15	Z000 020 Z002	Metering lever
16	Z000 019 Z003	Metering spring
17	Z000 016 Z002	Metering gasket
18	Z000 500 Z001	Metering lever screw
19	A015051	DIAPHRAGM ASS'Y, METERING
20	0028023	COVER, METERING
21	Z000 720 Z001	Binding screw vs serration
22	0031255	SCREW, IDLE MIXTURE
23	Z000 030 Z025	High speed screw
24	A041087	SHAFT ASS'Y, CHOKE
25	0052011	COLLAR
26	0042098	LEVER,CHOKE
27	Z000 038 Z001	Friction Spring
28	Z000 928 Z003	Stainless plug ball
29	0013065	SPRING, CHOKE RETURN
30	Z000 043 Z002	Choke Valve
31	Z000 950 Z002	E-ring
32	0017102	COVER,PUMP
33	0036001	Friction piece
34	0035033	SCREW, THROTTLE ADJUST
35	Z000 700 Z000	Truss head screw